

mark[®]

Technical manual **EN**

Technisches Handbuch **DE**

Livret technique **FR**

Technisch boek **NL**

Instrukcja techniczna **PL**

Manual tehnic **RO**

Техническое руководство **RU**

MARK FÖHN

06 60 200_R04



Read this document before installing the heater

Warning

Incorrect installation, adjustment, alteration, repair or maintenance work may lead to material damage or injury. All work must be carried out by certified, qualified professionals. If the appliance is not positioned in accordance with the instructions, the warranty shall be rendered void. This appliance is not intended for use by children or persons with a physical, sensory or mental handicap, or who lack the required experience or expertise, unless they are supervised or have been instructed in the use of the appliance by somebody who is responsible for their safety. Children must be supervised to ensure that they do not play with the appliance.

If the manual refers to an image or table, a number will be shown between square brackets, for example [3]. The number refers to images and tables at the back of the manual with the stated number.

1.0 General

1.1 Application

Appliance type Föhn is suitable both for the free and direct intake of the air to be heated and the free discharge of heated air into the room, and for connection to a duct system.

If areas are to be heated, in which there are corrosive vapours (chlorinated hydrocarbons in particular), which are either produced directly in the area, or which may be drawn in from the outside by the heater via a connection or an open connector, this type of heater may be used because of the risk of corrosion to the heat exchanger.

Subject to change

The manufacturer is committed to constantly improving its products and reserves the right to make changes in the specifications without prior notice. The technical details are considered correct but do not form the basis for a contract or warranty. All orders are accepted according to the standard terms of our general sales and delivery conditions (available upon request).

1.2 Type indication

FÖHN G N 400 S/L 1 CB/C 1 1	FÖHN G N 400 S/L 2 CB/C 2 2	FÖHN G N 400 S/L 3 CB/C 2 2
G Gas	G Gas	G Gas
N Low NOx	N Low NOx	N Low NOx
400 400 kW capacity	400 400 kW capacity	400 400 kW capacity
S Vertical model	S Vertical model	S Vertical model
L Horizontal model	L Horizontal model	L Horizontal model
1 Burner On / Off	2 Burner High / Low	3 Burner modulating
CB Basic unit + fan	CB Basic unit + fan	CB Basic unit + fan
C Basic unit + external fan	C Basic unit + external fan	C Basic unit + external fan
1 Steel burner chamber material	2 Stainless steel burner chamber material	2 Stainless steel burner chamber material
1 Steel heat exchanger material	2 Stainless steel heat exchanger material	2 Stainless steel heat exchanger material

All appliance types are listed in table [4]. The various types are shown in the rows, and technical information relating to the appliances is shown in the columns. See the key below.

Key to table [4]

- T Type
- A Nominal power
- B Nominal load (lower value)
- C Gas consumption with a specific gas type
- D Nominal air displacement at 35 K
- E Nominal air displacement at 40 K
- F Nominal air displacement at 45 K
- G Weight
- I Supply voltage
- J Output port diameter
- K Burner type Riello

- H/L High/Low
- M Modulating

- N Input (Hi)
- O Gas flow
- P $P_{\text{gas inlet}}$
- Q CO_2^*
- R T_{flue}^{**}
- S Flue flow

* Tolerance: +/- 0,2 %

** Tolerance: +/- 15°C (depending on air amount and projection)

- U Output
- V Nozzle
- W Nozzle type
- X Nozzle pressure
- Y Oil consumption

1.3 General warnings

Incorrect installation, adjustment, alteration, maintenance or repair may lead to material or environmental damage and/or injuries. The appliance should therefore be installed, adapted or converted by a skilled and qualified installer, taking into account national and international regulations. Faulty installation, adjustment, alteration, maintenance or repair shall render the warranty void.

Appliance

When installing the Föhn air heaters, you must comply with the national and, if applicable, regional and local regulations (e.g. gas company regulations, building regulations etc.). The Föhn heater may only be installed in an area and position suitable for the purpose, see Chapter 2 Installation.

Gas supply and connection

Before installation, check that the local distribution conditions, gas type and pressure and the current adjustment of the appliance all match. An approved gas stop cock must be fitted to the inner pipeline.

Flue gas routing

The flue gas exhaust ducts should be as straight as possible; in general terms, the flow resistance must be kept as low as possible. If the flue gas exhaust duct passes along or through combustible walls or floors, there must be sufficient free space around the duct to prevent fire.

Air filter

If an air filter is fitted, a dirty filter sensor should always be fitted.

1.4 Always consider your safety

If you smell gas, it is expressly prohibited:

- To ignite an appliance
- To touch electrical switches, or to telephone from the area in question

Take the following action:

- Switch off the gas and electricity
- Activate the operational emergency plan
- Evacuate the building if necessary

2.0 Installation

2.1 Positioning the heater

After unpacking, check the heater for damage. Check that the information relating to the type/model and the electrical voltage is correct. Place the appliance so that it stands level on a clean surface and any accessories on a sufficiently solid structure [1 & 2], taking into account the minimum free space required [1]. Take particular note of the space needed for servicing and maintenance. When installing the heater, make sure that it cannot transmit vibration to the building structure. The use of a vibration-deadening material between the floor and the appliance is recommended. In the case of horizontal heaters, the air ducts must be designed in such a way that, when the fan is switched off, hot air cannot flow in the opposite direction to the normal flow of air. When installing the heater in a boiler room or other room, compliance is required with the applicable national regulations and any regional or local regulations (e.g. fire department regulations and regulations issued by the building and housing inspectorate). In the case of the Föhn, the combustion air is taken directly from the boiler room or room in which it is installed. When installing in this situation, make sure that no conditions of underpressure can occur. In addition, the area must be equipped with an adequate number of (permanently open) ventilation

openings. If silencers are used, they must be installed at a minimum distance of 800 mm on the output side and 300 mm on the suction side [2].

2.2 Positioning the flue gas exhaust system and air supply

- Curves in the flue gas exhaust ducts and pipes must be avoided to the greatest possible extent or made as gradual as possible.
- Horizontal sections of the flue gas exhaust ducting should be kept as short as possible and inclined at the maximum possible angle.
- The flue gas exhaust ducts and pipes from two or more air heaters must be kept strictly separate and no other connections may be made to them.
- In order to favour a constant chimney draught, a draught regulator should be installed. This regulator may not create a constriction of any kind in the flue gas exhaust duct or pipe. The draught regulator is not supplied with the air heater and must be ordered and installed separately in case the length of the flue gas exhaust duct exceeds 3 metres. It is also possible to install this regulator in a brick-built flue gas chimney (B13 appliance).
- If installation of a chimney draught regulator is not possible or not required, appropriate action must be taken to ensure an adequate chimney draught. If the chimney draught changes to an overpressure condition (>0.5 mbar), the burner must be switched off (B23 appliance).
- The flue gas exhaust duct must be run in such a way that it cannot cause a fire. A sleeve must be used when running the duct through walls, floors and the roof boarding.
- The flue gas exhaust duct must be capable of resisting a temperature of $T=250^{\circ}\text{C}$.
- The flue gas exhaust duct must be hung securely and may not rest on the air heater. In order to allow cleaning of the appliance, an unobstructed space of approximately 200 mm is required between the flue gas exhaust duct and the flue gas exit port in the appliance. A resealable connection (clamping strip) should be used for this.
- If an appliance is fitted with a chimney draught regulator, flue gas may briefly blow back into the boiler room or room where it is installed if a downdraught occurs.
- Condensation must not be allowed to enter the heater via the flue gas exhaust. This is why the flue gas exhaust duct must include a T-piece with a cap.
- When determining the flue gas discharge route, take into account the values in table [4].

2.3 Draught regulator [1]

Install the draught regulator in a T-piece in the flue gas duct.

The draught regulator must be set correctly.

Position the draught regulator with the weight at the bottom, see [1]. Adjust the weight so that the draught regulator remains vertical. NB! Under no circumstances may the draught regulator be mounted horizontally.

2.4 Gas connection

The installation of the gas pipeline and gas tap must comply with the relevant local and/or national regulations. The gas tap must be positioned within reach of the appliance. If the connection line is subject to pressures above 60mbar, this gas tap must be closed. If there is any possibility of the presence of dirt in the gas, use a gas filter. Always blow through the gas pipe in compliance with the regulations prior to operating the appliance.

2.5 Electrical connection

Installation must comply with the relevant local and/or national regulations. Ensure that there is a correct connection group with a mains fuse. PLEASE NOTE: The appliance is phase-sensitive and will only operate when it has been appropriately earthed. The appliance must be fitted with an isolator switch which interrupts phase and zero (not the earth). The isolator switch must be accessible at all times. Never, under any circumstances, allow the supply to the appliance to be interrupted by other switches. This could result in the appliance overheating.

2.6 Condensation connector [10] [11]

The condensation that forms in the air heater must be drained into the sewage/drainage system via an open connection. The pipe must be made of plastic, with an internal diameter that complies with the applicable regulations and equipped with a catch-funnel and a stench-trap. Make sure that the distance between the condensation drain point and the discharge tube measures at least 5 mm but no more than 10 mm. This creates the required open connection and makes maintaining the appliance easier. Make sure that the condensation drain pipe is protected against frost. (Risk of freezing!)

3.0 Start-up/shutdown

3.1 General

Before being packed, each heater is fully tested for safety and correct operation. Please refer to the technical manual for the burner for instructions on adjusting the burner. Never turn set screws incorrectly. Do not forget to instruct the user on the proper use and operation of the appliance and peripherals.

The appliance is CE certified if it is equipped with the following burners, see table [4].

3.2 Checks

The Mark Föhn may only be put into operation if the checks indicated above have been performed.

In particular:

- Check all screws, some may have loosened during shipping.
- Check that the V-belts are correctly tensioned [8]
- Check that the direction of rotation of the fans is correct (refer to the direction arrow on the fan)
- Open/close the dampers (if fitted)
- Check the gas pre-pressure (for the type of burner, refer to the type plate).
- Check the flue gas ducting and routing
- Check the electrical voltage
- Check the thermostat connection
- If applicable, check the air ducts, make sure that the external static pressure measured in the ducting corresponds to the pressure indicated on the type plate.
- Check that the operation of the appliance cannot be influenced by other appliances close to it, localised air flows or corrosive or explosive vapours, etc.
- Check the chimney draught regulator for correct function and leaks using an old mirror.
- Check the settings of the dirty filter sensor: +60 Pa resistance with a clean filter (Set after mounting the duct).

Check that the gas burner type and capacity are correct.

3.3 Check the nominal pressure

Check if the gas consumption complies with the values in table [4]. If the values are different, change them in accordance with the technical manual for the burner.

3.4 Check the pre-pressure

The gas pre-pressure at the gas control unit must be measured when the appliance is in operation. The pre-pressure is indicated on the appliance's type plate.

3.5 Check the safety thermostat [6]

Check the correct operation of the safety thermostat before proceeding to commission the

appliance. Correct operation of the safety thermostat guarantees the operational reliability and durability of the appliance. When the Föhn is delivered as a complete unit, this is installed and set at the factory.

Setting the safety thermostat:

- The safety thermostat (STB) is unalterably set to 100°C; when this temperature is reached, the burner is switched off and the thermostat mechanically locked. The thermostat can only be reset manually;
- maximum control thermostat (STW) in the locked state (90°C). The burner is temporarily switched off when this temperature is reached;
- fan thermostat Tmin:
40°C, fan is switched on.
30°C, fan is switched off.

3.6 Motor overload safety

In accordance with generally applicable regulations, all electric motors must be protected against overheating and overloading by a thermal overload safety. This trips the relay. The thermal overload safety must be reset manually.

Thermal overload safety

The thermal overload safeties are set and sealed at the factory. Check the current draw of the fan motor; if the current draw is too high, the external static pressure in the air system is probably lower than the information indicated on the type plate. If the external resistance in the air ducting is found to be incorrect, the customer must correct this to correspond to the value indicated on the type plate. Never operate motors that have been overloaded. This renders the guarantee void.

3.7 Shutting down the heater

For short periods of time:

- Set the room thermostat to the minimum temperature.
- The burner switches off and the fan continues to operate until the fan thermostat switches off the fan motor.

For longer periods of time:

- Set the room thermostat to the minimum temperature.
- After the automatic fan post-ventilation time has elapsed, the power supply to the appliance can be disconnected.

4.0 Maintenance

4.1 General

The appliance must be subjected to maintenance at least once a year, more often if necessary. If applicable, ask a qualified installer for maintenance advice. When carrying out maintenance, the appliance must have been shut down for an extended period. Make sure that you comply with all safety rules.

4.2 *Cleaning [7]*

- I Cover plate
- II Flue gas plenum cover
- III Combustion chamber

Cleaning the heat exchanger

Every year, after the main heating season has passed, the combustion chamber and the pipe array must be inspected for corrosion and leaks and cleaned if necessary. Remove the cover plate to gain access for cleaning. The flue gas plenum cover or combustion chamber cover must be removed from the pipe array. Clean the pipes in the array with a brush. Remove the retarders that are fitted and reinstall them after cleaning. A leak-free seal must be created; do not use old gasket or sealing material. This must be replaced. Maintain the burner in accordance with the manufacturer's instructions. After removing the gas burner, the combustion chamber can be cleaned. Remove any soot particles using a vacuum cleaner.

4.3 *Drive [8]*

Work may only be performed on the drive if appropriate precautionary measures have been taken, such as disconnecting the appliance from the power supply. The fan automatically post-ventilates. After the post-ventilation time has ended, the appliance may be disconnected from the power supply. Check that the safety thermostat is functioning correctly. If the V-belts are worn, rather than using a mixture of old and new V-belts, you should renew the complete set of V-belts at the same time and order them from one single supplier (check that the type numbers are the same on the V-belts)! Check whether the fan is dirty and clean it if required. Check the belt tension after 20 to 40 hours of operation. Adjust the tension regularly during the first year of operation!

4.4 *Air filter [9]*

Filters on the suction side should be cleaned regularly, as often as once a week if necessary. If the filters are very dirty, they should be replaced by filter fabric of the same quality and designation. If an air filter is fitted, a dirty filter sensor should always be fitted. This pressure switch will switch off the burner when the filter is dirty. The dirty filter sensor has a mechanical reset. Setting: +60 Pa resistance with a clean filter.

- A Pressure measurement nipple
- B Reset button

Lesen Sie dieses Dokument sorgfältig durch, bevor Sie das Gerät installieren

Warnhinweis

Fehlerhaft durchgeführte Installationen, Einstellungen, Änderungen, Reparaturen oder Wartungsmaßnahmen können zu Sachschäden und Verletzungen führen. Alle Arbeiten müssen von geprüften, qualifizierten Fachleuten durchgeführt werden. Falls das Gerät nicht vorschriftsgemäß aufgestellt wird, erlischt die Garantie.

Dieses Gerät ist nicht für den Gebrauch durch Personen (einschließlich Kindern) mit verminderter körperlicher, Sinnes- oder geistiger Leistungsfähigkeit oder mangelnder Erfahrung und mangelnden Kenntnissen bestimmt, sofern sie nicht unter Aufsicht stehen oder durch eine Person, die für ihre Sicherheit verantwortlich ist, im Gebrauch des Geräts angeleitet werden. Kinder müssen vom Gerät ferngehalten werden.

Wenn in der Anleitung auf eine Abbildung oder Tabelle verwiesen wird, wird eine Zahl in eckigen Klammern angegeben, beispielsweise **[3]**. Die Zahl verweist auf die Abbildungen und Tabellen mit der entsprechenden Nummer am Ende der Anleitung.

1.0 Allgemeines

1.1 Anwendungsbereich

Das Gerät vom Typ Föhn ist sowohl für das freie und direkte Ansaugen der zu erwärmenden Luft sowie das freie Ausblasen der erwärmten Luft in den Raum als auch für den Anschluss an ein Kanalsystem geeignet.

Zum Heizen von Räumen, in denen korrosive Dämpfe vorhanden sind (insbesondere chlorierte Kohlenwasserstoffe), die entweder direkt aus dem Raum oder über einen Anschluss oder eine offene Verbindung von außen durch das Heizgerät angesaugt werden können, können Heizgeräte aufgrund der Korrosionsgefahr für den Wärmetauscher nicht eingesetzt werden.

Änderungen vorbehalten

Der Hersteller strebt eine kontinuierliche Verbesserung der Produkte an und behält sich das Recht vor, ohne vorherige Mitteilung Änderungen an den technischen Daten vorzunehmen. Die technischen Angaben werden als korrekt angenommen, bilden aber keine Grundlage für einen Vertrag oder Gewährleistungsansprüche. Alle Bestellungen werden gemäß den Standardkonditionen in unseren allgemeinen Verkaufs- und Lieferbedingungen (auf Anfrage erhältlich) angenommen.

1.2 Typenkennzeichnung

FÖHN G N 400 S/L 1 CB/C 1 1	FÖHN G N 400 S/L 2 CB/C 2 2	FÖHN G N 400 S/L 3 CB/C 2 2
G Gas	G Gas	G Gas
N Low NOx	N Low NOx	N Low NOx
400 Leistung 400 kW	400 Leistung 400 kW	400 Leistung 400 kW
S Vertikale Ausführung	S Vertikale Ausführung	S Vertikale Ausführung
L Horizontale Ausführung	L Horizontale Ausführung	L Horizontale Ausführung
1 Brenner ein/aus	2 Brenner hoch/niedrig	3 modulierender Brenner
CB Kasten + Ventilator	CB Kasten + Ventilator	CB Kasten + Ventilator
C Kasten + externer Ventilator	C Kasten + externer Ventilator	C Kasten + externer Ventilator
1 Material der Brennerkammer Stahl	2 Material der Brennerkammer Edelstahl	2 Material der Brennerkammer Edelstahl
1 Material des Wärmetauschers Stahl	2 Material des Wärmetauschers Edelstahl	2 Material des Wärmetauschers Edelstahl

Alle Gerätetypen sind in der Tabelle [4] aufgeführt. In den Zeilen sind die verschiedenen Typen aufgeführt, in den Spalten die technischen Angaben zu den Geräten. Siehe die folgende Legende.

Legende zu Tabelle [4]

T Typ

A Nennleistung

B Nennbelastung (unterer Wert)

C Gasverbrauch bei bestimmter Gasart

D Nenn-Luftverdrängung bei 35 K

E Nenn-Luftverdrängung bei 40 K

F Nenn-Luftverdrängung bei 45 K

G Gewicht

I Versorgungsspannung

J Ableitungsdurchmesser

K Brennertyp Riello

H/L Hoch/Niedrig

M modulierend

N Nennbelastung (Hu)

O Gasverbrauch

P Gasvordruck

Q CO₂*

R Abgastemperatur**

S Abgasmenge

* Toleranz +/- 0,2 %

** Toleranz: +/- 15°C (abhängig der Luftmenge und Projektierung)

U Leistung

V Düse

W Düsetyp

X Düsedruck

Y Ölverbrauch

1.3 Allgemeine Warnhinweise

Eine unsachgemäß ausgeführte Installation, Einstellung, Änderung, Wartung oder Instandsetzung kann zu Sachschäden, Umweltschäden und Verletzungen führen. Lassen Sie das Gerät daher nur von fachkundigen und qualifizierten Installateuren unter Berücksichtigung der nationalen und internationalen Vorschriften installieren, anpassen oder umbauen. Im Falle einer unsachgemäßen Installation, Einstellung, Änderung, Wartung oder Instandsetzung erlischt die Gewährleistung.

Gerät

Bei der Installation des Föhn sind die geltenden nationalen und ggf. regionalen und lokalen Vorschriften (z. B. Vorschriften des Gasunternehmens, Bauverordnungen u. dgl.) zu beachten. Die Installation des Föhn darf ausschließlich in hierfür geeigneten Räumen und an einem hierfür geeigneten Ort erfolgen; siehe Kapitel 2, Installation.

Gaszufuhr und Gasanschluss

Überprüfen Sie vor der Installation, ob die lokalen Versorgungsbedingungen, Gasart und -druck und die aktuelle Einstellung des Geräts miteinander übereinstimmen. An der Innenleitung ist ein geprüfter Gasabsperrhahn anzubringen.

Verlauf der Abgasleitungen

Abgasleitungen müssen mit möglichst wenig Kurven verlegt werden; im Allgemeinen muss der Widerstand auf ein Minimum begrenzt werden. Wenn die Abgasableitung durch brennbare Wände oder Böden oder an ihnen entlang geführt wird, muss die Leitung zur Vermeidung von Bränden einen ausreichenden Abstand haben.

Luftfilter

Wenn ein Luftfilter verwendet wird, muss immer ein Schalter zur Überwachung der Filterverschmutzung montiert werden.

1.4 Denken Sie an Ihre Sicherheit

Wenn Sie Gasgeruch wahrnehmen, ist es ausdrücklich verboten:

- ein Gerät zu zünden
- elektrische Schalter zu berühren oder in demselben Raum zu telefonieren

Ergreifen Sie die folgenden Maßnahmen:

- Gaszufuhr und Strom abschalten
- Betriebsnotfallplan aktivieren
- ggf. das Gebäude evakuieren

2.0 Installation

2.1 Aufstellung des Geräts

Überprüfen Sie das Gerät nach dem Auspacken auf Beschädigung. Überprüfen Sie die Richtigkeit des gelieferten Typs/Models sowie die elektrische Spannung. Stellen Sie das Gerät waagrecht auf eine saubere Oberfläche und etwaige Zubehörteile auf eine ausreichend stabile Konstruktion [1 und 2]; beachten Sie dabei den erforderlichen Mindestabstand [1]. Achten Sie vor allem auf den Raum, der für Reinigung und Wartung erforderlich ist. Bei der Montage ist darauf zu achten, dass die Schwingungen des Geräts nicht auf die Gebäudekonstruktion übertragen werden. Es wird empfohlen, zwischen Boden und Gerät ein schwingungsdämmendes Material anzubringen. Bei liegenden Geräten müssen die Luftkanäle so ausgeführt sein, dass nach dem Ausschalten des Ventilators kein der normalen Luftstromrichtung entgegengesetzter heißer Luftstrom entstehen kann. Bei Aufstellung in einem Heiz- oder Aufstellungsraum müssen die geltenden nationalen und ggf. regionalen und örtlichen Vorschriften erfüllt werden (z. B. Vorschriften der Feuerwehr und Bau- und Wohnungsaufsicht). Beim Föhn wird die Verbrennungsluft direkt aus dem Heiz- oder

Aufstellungsraum abgesaugt. Achten Sie dabei darauf, dass kein Unterdruck entstehen kann. Außerdem muss der Raum über ausreichende (nicht verschließbare) Belüftungsöffnungen verfügen. Wenn Geräuschdämmer eingesetzt werden, muss ein minimaler Abstand von 800 mm auf der Ausblasseite und 300 mm auf der Ansaugseite eingehalten werden [2].

2.2 Anbringen der Abgasableitung und der Luftzufuhr

- Kurven von Abgaskanälen und -leitungen müssen weitmöglichst vermieden werden und so sanft wie möglich verlaufen.
- Horizontale Abschnitte in den Abgasableitungen müssen so kurz wie möglich gehalten werden und Neigungswinkel müssen möglichst groß sein.
- Die Abgaskanäle und -leitungen von zwei oder mehr Lufterhitzern müssen vollständig getrennt sind und dürfen keine anderen Anschlüsse haben.
- Zur Förderung eines gleichmäßigen Schornsteinzugs muss ein Zugregler verwendet werden. Dieser darf den Durchlass von Abgaskanal oder -leitung in keiner Stellung verringern. Der Zugregler ist nicht im Lieferumfang des Lufterhitzers enthalten. Dieser muss separat bestellt werden. Der Zugregler muss montiert werden, wenn die Länge der Abgasleitung mehr als 3 m beträgt. Die Anbringung in einem gemauerten Abgaskanal ist ebenfalls möglich (B13-Gerät).
- Wenn die Montage eines Zugreglers nicht möglich oder gewünscht ist, müssen angemessene Maßnahmen ergriffen werden, um den Schornsteinzug sicherzustellen. Wenn sich der Schornsteindruck bei einer Überdrucksituation ($> 0,5$ mbar) ändert, muss der Brenner ausgeschaltet werden (B23-Gerät).
- Die Abgasleitung muss so verlegt werden, dass sie keinen Brand verursachen kann. Bei der Durchführung durch Wände, Böden, Decken und Dachschalung muss ein Mantelrohr verwendet werden.
- Der Abgaskanal muss eine Temperaturbeständigkeit von $T = 250^{\circ}\text{C}$ haben.
- Die Abgasleitung muss zweckmäßig aufgehängt werden und darf nicht auf dem Lufterhitzer abgestützt werden. Im Zusammenhang mit der Reinigung des Geräts muss zwischen Abgasableitung und Abgasausmündung des Geräts ein Freiraum von etwa 200 mm gelassen werden. Dabei ist die Anwendung einer löslichen Verbindung (Klemmband) üblich.
- Wenn ein Gerät mit einem Zugregler ausgestattet ist, können unter dem Einfluss von Fallwinden kurzzeitig Abgase in den Heiz- oder Aufstellraum gelangen.
- Über die Abgasabfuhr darf kein Kondensat in das Gerät gelangen. Darum muss die Abgasableitung über ein T-Stück mit Verschlussstopfen verfügen.
- Bitte beachten Sie bei der Auslegung der Abgasstrecke die Angaben in der Tabelle [4].

2.3 Zugregler [1]

Setzen Sie den Zugregler auf ein T-Stück zwischen der Rauchgasabzugsleitung auf. Der Zugregler muss eingestellt werden.

Bringen Sie den Zugregler mit dem Gewicht nach unten an; siehe [1]. Stellen Sie das Gewicht so ein, dass der Zugregler senkrecht bleibt. Achtung! Der Zugregler darf keineswegs horizontal angebracht werden.

2.4 Gasanschluss

Die Installation der Gasleitung und des Gashahns muss den geltenden lokalen und/oder nationalen Vorschriften entsprechen. Der Gashahn muss sich in Reichweite des Geräts befinden. Bei einem Druck der Anschlussleitung über 60 mbar muss dieser Gashahn geschlossen werden. Wenn möglicherweise Schmutz mitgeführt werden kann, setzen Sie einen Gasfilter ein. Blasen Sie in jedem Fall die Gasleitung vorschriftsgemäß durch, bevor Sie das Gerät in Betrieb nehmen.

2.5 Elektrischer Anschluss

Die Installation muss den geltenden landesweiten und örtlichen Bestimmungen entsprechen. Sorgen Sie für eine passende Anschlussgruppe mit Hauptsicherung. ACHTUNG: Das Gerät ist phasenempfindlich und funktioniert nur, wenn es ausreichend geerdet ist. Das Gerät ist mit einem

Betriebsschalter zu versehen, der Phase und Null (nicht die Erde) unterbricht. Der Trennschalter muss jederzeit erreichbar sein. Unter keinen Umständen die Stromversorgung des Geräts durch andere Schalter unterbrechen (lassen). Dies kann zu einer Überhitzung des Geräts führen.

2.6 Kondensatanschluss [10] [11]

Das im Lufterhitzer gebildete Kondensat muss über eine offene Verbindung in die Kanalisation abgeführt werden. Die Leitung muss aus Kunststoff gefertigt sein, der Innendurchmesser muss den geltenden Vorschriften entsprechen und mit einem Auffangtrichter und Geruchsverschluss versehen sein. Sorgen Sie dafür, dass der Abstand zwischen Ausmündung der Kondensatabfuhr und der Abfuhrleitung mindestens 5 mm und höchstens 10 mm beträgt. Dadurch entsteht die erforderliche offene Verbindung und Wartungsarbeiten am Gerät werden erleichtert. Achten Sie darauf, dass die Kondensatabfuhr frostfrei angeordnet wird. (Gefahr des Einfrierens!).

3.0 Inbetriebnahme/Außerbetriebnahme

3.1 Allgemeines

Jedes Gerät wird vor dem Verpacken vollständig auf Sicherheit und korrekte Funktion geprüft. Für die Einstellung des Brenners wird auf das technische Handbuch des Brenners verwiesen. Drehen Sie niemals unsachgemäß an Stellschrauben. Vergessen Sie vor allem nicht, dem Benutzer die korrekte Handhabung und Bedienung des Geräts und der Zusatzgeräte zu zeigen. Das Gerät verfügt nur über eine CE-Zulassung, wenn es mit den folgenden Brennern ausgestattet ist, siehe Tabelle [4].

3.2 Überprüfungsarbeiten

Der Mark Föhn darf nur in Betrieb genommen werden, wenn die vorgenannten Kontrollen ausgeführt werden.

In het bijzonder:

- alle Schrauben kontrollieren, einige können sich durch den Transport gelöst haben.
- Keilriemen auf korrekte Spannung kontrollieren [8]
- Korrekte Drehrichtung der Ventilatoren kontrollieren (siehe Drehrichtungspfeil auf dem Ventilator)
- Jalousieklappen öffnen/schließen lassen (falls vorhanden)
- Gasvordruck (bei Gasbrenner kontrollieren, siehe dazu Typenschild)
- Abgasableitung und -verlauf kontrollieren
- Elektrische Spannung kontrollieren
- Thermostatanschluss kontrollieren
- Eventuelle Luftkanäle überprüfen; darauf achten, dass der externe statische Druck im Kanalsystem dem Druck auf dem Typenschild entspricht.
- Überprüfen Sie, ob die Funktion des Geräts nicht durch andere Geräte, örtliche Luftströmungen, korrosive oder explosive Dämpfe usw. beeinträchtigt werden kann.
- Kontrollieren Sie die Funktion des Zugreglers mithilfe eines kalten Spiegels auf Leckage.
- Überprüfen Sie die Einstellungen der Filterüberwachungsschalter: Widerstand eines sauberen Filters + 60 Pa. (Einstellen Filterüberwachungsschalter nach der Montage des Kanals).

Achten Sie auf korrekten Typ und Leistung des Gasbrenners.

3.3 Überprüfung der Nennbelastung

Überprüfen Sie, ob der Gasverbrauch den Werten in Tabelle [4] entspricht. Falls die Werte nicht übereinstimmen, ändern Sie diese gemäß dem technischen Handbuch des Brenners.

3.4 Überprüfung des Vordrucks

Der Gasvordruck ist auf dem Gasblock zu messen, während sich das Gerät in Betrieb befindet. Der Vordruck ist auf dem Typenschild des Geräts angegeben.

3.5 Überprüfung des Sicherheitsthermostats [6]

Überprüfen Sie die Funktion des Sicherheitsthermostats, bevor tatsächlich mit der Inbetriebnahme begonnen wird. Ein korrekt funktionierendes Sicherheitsthermostat ist eine Garantie für die Betriebssicherheit und Lebensdauer des Geräts. Bei einem komplett gelieferten Föhn wurde dies werksseitig montiert und eingestellt.

Einstellung des Sicherheitsthermostats:

- Das Sicherheitsthermostat (STB) hat einen fest eingestellten Wert von 100°C, bei dieser Temperatur wird der Brenner ausgeschaltet und das Thermostat mechanisch verriegelt. Ein Zurücksetzen von Hand ist erforderlich.
- Maximal-Regelthermostat (STW) in Blockierstellung (90°C). Dabei wird der Brenner zeitweise ausgeschaltet;
- Sicherheitsthermostat Tmin: 40°C, Ventilator wird eingeschaltet.
30°C, Ventilator wird ausgeschaltet.

3.6 Motorschutz

Allgemein gültigen Vorschriften zufolge muss jeder Motor mithilfe eines Thermokontakts vor Überhitzung und Überlastung geschützt werden. Dadurch wird der Magnetschalter ausgeschaltet. Die thermische Sicherung von Hand zurücksetzen.

Thermische Sicherung

Die thermischen Sicherungen sind werksseitig eingestellt und versiegelt. Kontrollieren Sie die Stromstärke des Ventilatormotors. Wenn die Stromaufnahme zu hoch liegt, ist es wahrscheinlich, dass der externe statische Druck im Luftsystem geringer ist als auf dem Typenschild angegeben. Bei abweichendem externem Widerstand im Luftkanalsystem muss der Kunde für eine Übereinstimmung mit dem auf dem Typenschild angegebenen Wert sorgen. Nehmen Sie niemals einen überlasteten Motor in Betrieb. Dadurch erlischt die Garantie des Motors.

3.7 Außerbetriebnahme des Heizgeräts

Für kurze Zeit:

- Stellen Sie den Raumthermostaten auf Mindesttemperatur ein.
- Der Brenner schaltet aus und der Ventilator läuft nach, bis der Ventilatorthermostat den Ventilatormotor ausschaltet.

Für längere Zeit:

- Stellen Sie den Raumthermostaten auf Mindesttemperatur ein.
- Nachdem der automatische Nachlauf des Ventilators erfolgt ist, kann das Gerät spannungslos geschaltet werden.

4.0 Wartung

4.1 Allgemeines

Die Wartung für das Gerät hat mindestens ein Mal pro Jahr zu erfolgen, im Bedarfsfall häufiger. Wenden Sie sich bei Fragen zur Wartung ggf. an einen qualifizierten Installateur. Bei der Durchführung der Wartungsarbeiten ist das Gerät für längere Zeit außer Betrieb zu nehmen. Achten Sie auf die Einhaltung aller Sicherheitsvorschriften.

4.2 Reinigung [7]

- I Mantelblech
- II Abgaskammerabdeckung
- III Brennkammer

Reinigung des Wärmetauschers

Nach jeder Heizsaison (1 Mal jährlich) müssen Brennkammer und Rohrregister auf Korrosion und Lecks überprüft und bei Bedarf gereinigt werden. Zur Reinigung das Mantelblech entfernen. Vom Brennrohrregister müssen die Abgas- und Brennkammerabdeckung entfernt werden. Reinigen Sie die Registerrohre mit einer Bürste. Anmerkung: Entfernen Sie bei gasbefeuchten Geräten die montierten Verzögerer und bringen Sie sie nach der Reinigung wieder an. Das ganze Gerät muss gut schließend gemacht werden, dabei darf kein altes Dichtmaterial verwendet werden. Dieses muss ausgetauscht werden. Die Wartung des Brenners muss gemäß den Angaben des Brennerlieferanten erfolgen. Nach dem Ausbau des Gasbrenners kann die Brennkammer gereinigt werden. Eventuelle Rußteilchen mit einem Staubsauger entfernen.

4.3 Antrieb [8]

Es dürfen nur Arbeiten am Antrieb vorgenommen werden, wenn die erforderlichen Vorsorgemaßnahmen ergriffen wurden, wie das Spannungsschalten des Geräts. Der Ventilator verfügt über eine automatische Nachbelüftung. Erst wenn die Nachbelüftung angehalten hat, darf das Gerät spannungslos geschaltet werden. Überprüfen Sie die Funktion des Sicherheitsthermostats. Verwenden Sie bei verschlissenen Keilriemen keine alten und neuen Keilriemen gleichzeitig, sondern tauschen Sie den gesamten Satz Keilriemen auf einmal aus und beziehen Sie sie beim gleichen Händler (achten Sie dabei auf gleiche Typennummern auf den Keilriemen)! Überprüfen Sie den Ventilator auf Verschmutzung; bei Bedarf reinigen. Überprüfen Sie die Riemenspannung nach 20 bis 40 Betriebsstunden. Spannen Sie Riemen im ersten Betriebsjahr regelmäßig nach!

4.4 Luftfilter [9]

Eventuelle Ansaugfilter müssen regelmäßig, bei Bedarf einmal wöchentlich, gereinigt werden. Wenn die Filter sehr stark verschmutzt sind, müssen sie durch Filter mit der gleichen Qualität und Bezeichnung ausgetauscht werden. Wenn ein Luftfilter verwendet wird, muss immer ein Schalter zur Überwachung der Filterverschmutzung montiert werden. Dieser Druckschalter schaltet bei einem verschmutzten Filter den Brenner aus. Der Filterüberwachungsschalter kann mechanisch zurückgesetzt werden.

Einstellkriterien: Widerstand eines sauberen Filters + 60 Pa.

- A Druckmessnippel
- B Resetknopf

Lire attentivement ce document avant de commencer l'installation de l'appareil

FR

Avertissement

Une installation, un réglage, une modification, une réparation ou un entretien mal exécuté(s) peut entraîner des dommages matériels ou des blessures. Tous les travaux doivent être exécutés par des professionnels reconnus et qualifiés. Lorsque l'appareil n'est pas installé suivant les prescriptions, la garantie échoit.

Cet appareil n'est pas destiné à l'utilisation par des personnes (y compris des enfants) aux capacités physiques, sensorielles ou mentales amoindries, ou manquant d'expériences et de connaissances, sans surveillance ni instructions quant à l'utilisation de l'appareil par une personne responsable de leur sécurité. Il convient de surveiller les enfants afin de veiller à ce qu'ils ne jouent pas avec l'appareil.

Lorsque le mode d'emploi renvoie à une image ou à un tableau, il mentionne un nombre entre crochets, par exemple [3]. Le nombre renvoie à des images et des tableaux à la fin du mode d'emploi, qui portent le nombre mentionné.

1.0 Généralités

1.1 Utilisation

L'appareil de type Föhn permet non seulement l'aspiration directe et libre de l'air à chauffer ainsi que le soufflage libre dans l'espace de l'air chauffé mais il permet également la connexion à un système de distribution par gaines. Pour le chauffage des espaces où se trouvent des vapeurs corrosives (notamment les hydrocarbures chlorés) qui peuvent être aspirés par le chauffage, soit directement de l'espace, soit de l'extérieur par le biais d'un raccordement ou d'un assemblage ouvert, les chauffages ne peuvent pas être utilisés en raison du danger de corrosion qui pèse sur l'échangeur de chaleur.

Sous réserve de modifications

Le fabricant travaille sans relâche à l'amélioration des produits et se réserve le droit d'apporter des modifications dans les spécifications, sans avis préalable. Les détails techniques sont supposés être corrects mais ne constituent pas une base pour un contrat ou une garantie. Toutes les commandes sont acceptées conformément aux stipulations standard de nos conditions générales de vente et de livraison (disponibles sur demande).

1.2 Indication du type

FÖHN G N 400 S/L 1 CB/C 1 1	FÖHN G N 400 S/L 2 CB/C 2 2	FÖHN G N 400 S/L 3 CB/C 2 2
G Gas	G Gas	G Gas
N Low NOx	N Low NOx	N Low NOx
400 Puissance 400 kW	400 Puissance 400 kW	400 Puissance 400 kW
S Version verticale	S Version verticale	S Version verticale
L Version horizontale	L Version horizontale	L Version horizontale
I Brûleur On / Off	2 Brûleur Haut / Bas	3 Brûleur modulable
CB Cellule + ventilateur	CB Cellule + ventilateur	CB Cellule + ventilateur
C Cellule + ventilateur externe	C Cellule + ventilateur externe	C Cellule + ventilateur externe
1 Chambre de combustion en acier	2 Chambre de combustion en inox	2 Chambre de combustion en inox
1 Echangeur de chaleur en acier	2 Echangeur de chaleur en inox	2 Echangeur de chaleur en inox

Les différents types d'appareils sont présentés dans le tableau [4]. Les lignes font état des différents types disponibles tandis que les colonnes affichent les informations techniques relatives aux appareils. Voir la légende ci-après.

Légende du tableau [4]

- T Type
- A Puissance nominale
- B Charge nominale (pci)
- C Consommation de gaz pour un certain type de gaz
- D Débit d'air nominal à 35 K
- E Débit d'air nominal à 40 K
- F Débit d'air nominal à 45 K
- G Poids
- I Alimentation électrique
- J Diamètre d'évacuation
- K Brûleur de type Riello

- H/L Haut/Bas
- M Modulable

- N Charge nominale
- O Consommation gaz
- P pression en amont
- Q CO₂*
- R T gaz de fumées**
- S Débit gaz de fumées

- * Tolérance : +/- 0,2%
- ** Tolérance: +/- 15°C (suivant débit d'air et projection)

- U Puissance
- V bouches à induction
- W Type de bouche à induction
- X Pression bouches à induction
- Y Consommation fuel

1.3 Avertissements généraux

Une mauvaise installation, un mauvais réglage, une modification, un entretien ou une réparation erroné(e) peut entraîner des dommages matériels, une pollution ou des blessures. Il faut donc faire installer, adapter ou transformer l'appareil par un installateur professionnel et qualifié, qui tient aussi compte des règlements nationaux et internationaux. En cas d'installation, de réglage, de modification, d'entretien ou de réparation erroné(e), la garantie échoit.

Appareil

Lors de l'installation des appareils Föhn, les prescriptions nationales et éventuellement régionales en vigueur doivent être respectées (par exemple les prescriptions de la compagnie du gaz, les règlements en matière de construction, etc.). L'installation de l'appareil Föhn ne peut se faire que dans un espace et un lieu appropriés, voir chapitre 2, Installation.

Amenée et raccordement du gaz

Vérifier avant l'installation si les conditions de distribution locales, le type de gaz et la pression correspondent au réglage actuel de l'appareil. Un robinet d'arrêt du gaz certifié doit être installé sur la conduite intérieure.

Tracé des gaz de fumée

Les conduites d'évacuation des gaz de combustion doivent présenter le moins de coudes possibles. D'une manière générale, la résistance doit être minimisée. Si la conduite d'évacuation des gaz de fumée passe par des murs ou des sols inflammables, la conduite doit être installée suffisamment en retrait pour éviter tout endommagement en cas d'incendie.

Filtre à air

Un commutateur de contrôle du filtre à poussières doit être installé sur les appareils pourvus d'un filtre à air.

1.4 Penser à la sécurité

Si une odeur de gaz émane de la pièce, il est formellement interdit :

- D'allumer un appareil
- De toucher à des interrupteurs électriques ou de téléphoner de la même pièce

Entreprendre les démarches suivantes :

- Fermer l'amenée de gaz et l'alimentation électrique
- Activer le plan d'urgence de l'entreprise
- Evacuer le bâtiment si besoin est

2.0 Installation

2.1 Mise en place de l'appareil

Sortir l'appareil de son emballage et vérifier qu'il n'a pas été endommagé. Vérifier si le type/modèle est le bon, contrôler le voltage électrique. Poser l'appareil à plat sur une surface propre et placer les éventuels accessoires sur une construction suffisamment solide [1 & 2], en tenant compte de l'espace libre minimum nécessaire [1]. Veiller à laisser suffisamment d'espace pour permettre les travaux de révision et d'entretien de l'appareil. Veiller lors du montage à ce que les vibrations de l'appareil ne soient pas transmises au bâtiment. Il est recommandé d'appliquer, entre le sol et l'appareil, un matériau anti-vibrations. Pour les modèles horizontaux, les canaux d'aération doivent être disposés de telle sorte que, une fois le ventilateur hors tension, aucun courant d'air chaud ne puisse remonter le flux d'air normal. L'installation dans une chaufferie ou un local doit être conforme aux prescriptions nationales et éventuellement régionales en vigueur (comme les prescriptions des sapeurs-pompiers et des instances de surveillance en matière de

construction et de logement). Avec le Föhn, l'air chauffé est immédiatement rejeté à l'extérieur de la chaufferie ou du local. Veiller à éviter toute dépression. L'espace en question doit également offrir suffisamment d'ouvertures de ventilation (ne fermant pas à clé). Les éventuels systèmes d'insonorisation doivent être appliqués à une distance minimale de 800 mm par rapport à l'évacuation et 300 mm par rapport à l'admission [2].

2.2 Positionnement de l'évacuation des gaz de combustion et de l'amenée d'air

- Eviter au maximum l'utilisation de coudes pour les conduites d'évacuation des gaz de fumée pour que ces derniers demeurent aussi rectilignes que possible.
- Les parties horizontales des conduites d'évacuation des gaz de fumée doivent être aussi courtes que possible et leur angle d'inclinaison aussi grand que possible.
- Les conduites d'évacuation des gaz de fumée de deux réchauffeurs d'air ou plus doivent être totalement séparés et ne peuvent pas comporter d'autres raccords.
- Pour faciliter le tirage régulier de la cheminée, il faut utiliser un régulateur de tirage, lequel ne peut réduire le passage des canaux et des conduites d'évacuation des gaz de fumée. Le régulateur de tirage n'est fourni pas avec le générateur d'air chaud. Le régulateur doit être ordonné et monté si la longueur de la conduite d'évacuation des gaz de fumée dépasse 3 mètres. Il est également possible de la monter dans la conduite d'évacuation des gaz de fumée maçonné (appareil B13).
- S'il n'est pas possible ou souhaitable de monter un régulateur de tirage, des mesures appropriées doivent être prises afin de garantir le tirage de la cheminée. Si le tirage de la cheminée engendre une situation de surpression ($> 0,5$ mbar), le brûleur doit être mis hors tension (appareil B23).
- La conduite d'évacuation des gaz de fumée doit être installée de manière à ce qu'elle ne puisse pas provoquer d'incendie. Pour ce faire, appliquer un fourreau sur la conduite lorsque celle-ci traverse des parois, des sols, des plafonds et des voliges.
- La conduite d'évacuation des gaz de fumée doit résister à une température $T=250^{\circ}\text{C}$.
- La conduite d'évacuation des gaz de fumée doit être fixée de manière fonctionnelle et ne peut être reliée au générateur d'air chaud. Pour pouvoir effectuer le nettoyage de l'appareil, il convient de laisser un espace d'au moins 200 mm entre la conduite d'évacuation des gaz de fumée et la bouche de sortie des gaz de fumée. A cet effet, il est courant d'utiliser un raccord détachable (une bande de serrage).
- Des gaz de fumée sporadiques peuvent apparaître, sous l'effet de vents plongeants, dans une chaufferie ou un local où se trouve un appareil avec régulateur de tirage.
- Aucune condensation ne doit pouvoir pénétrer dans l'appareil via la conduite d'évacuation des gaz de fumée. C'est pourquoi la conduite d'évacuation des gaz de fumée doit être équipée d'un T avec bouchon de protection.
- Lors du dimensionnement du tracé d'évacuation des gaz de fumées, tenir compte des valeurs dans le tableau [4].

2.3 Régulateur de tirage [1]

Positionnez le régulateur de tirage sur un T placé entre les conduites d'évacuation des gaz de fumée. Il convient de régler le régulateur de tirage.

Placez le régulateur de tirage avec le poids vers le bas (voir [1]). Réglez le poids de façon à ce que le régulateur de tirage reste vertical. Attention ! Ne montez en aucun cas le régulateur de tirage tout à fait horizontalement.

2.4 Raccordement du gaz

L'installation de la conduite et du robinet de gaz doit répondre aux prescriptions locales et/ou nationales en vigueur. Le robinet de gaz doit se trouver à portée de main de l'appareil. Le robinet de gaz doit être fermé lors du pressurage de la conduite de raccordement au-dessus de 60 mbar. Ajouter un filtre à gaz si la présence de saletés dans le gaz est suspectée. Purger la conduite de gaz selon les consignes avant de mettre en service de l'appareil.

2.5 Raccordement électrique

L'installation doit répondre aux prescriptions nationales et/ou régionales en vigueur. Veiller à mettre en place un groupe de raccordement adéquat avec disjoncteur. ATTENTION ! : L'appareil est sensible à la phase et ne fonctionne que si la mise à la terre est suffisante. L'appareil doit être équipé d'un commutateur qui puisse interrompre la phase et le neutre (pas la terre). Le commutateur doit toujours être accessible. Ne jamais couper l'alimentation de l'appareil à l'aide d'autres commutateurs. Cela peut entraîner une surchauffe de l'appareil.

2.6 Raccordement de condensation [10] [11]

La condensation générée dans le générateur d'air chaud doit être évacuée à l'aide d'un raccordement ouvert à l'égout. La conduite doit être réalisée en plastique, avec un diamètre intérieur conforme aux prescriptions légales, et être équipée d'un entonnoir de réception et d'un siphon. Veiller à ce que la distance entre la bouche d'évacuation de la condensation et la conduite d'évacuation soit comprise entre 5 et 10 mm. Il est ainsi possible d'obtenir le raccordement ouvert nécessaire. L'entretien de l'appareil est également facilité. Veiller à ce que la conduite d'évacuation de la condensation ne présente pas de trace de gel. (Risque de gel !)

3.0 Mise en service / mise hors service

3.1 Généralités

Avant d'être emballé, chaque appareil est minutieusement testé en termes de sécurité et de bon fonctionnement. Pour régler le brûleur, consulter le manuel technique du brûleur. Ne jamais tourner sans discernement les vis de réglage. Ne pas oublier d'informer l'utilisateur sur l'utilisation correcte et le fonctionnement de l'appareil et de l'appareillage périphérique.

L'appareil dispose uniquement du label CE si les brûleurs suivants sont utilisés, voir tableau [4].

3.2 Travaux de contrôle

L'appareil Mark Föhn ne peut être mis en service qu'une fois les contrôles susmentionnés réalisés. Notamment :

- Contrôler toutes les vis, certaines ont pu se desserrer pendant le transport.
- Contrôler la tension des courroies en V [8]
- Contrôler le sens de rotation des ventilateurs (voir la flèche indiquant le sens de rotation sur le ventilateur)
- Ouvrir / fermer les registres (le cas échéant)
- Pré-pression de gaz (pour contrôler le brûleur au gaz, voir la plaque d'identification)
- Contrôler la conduite et le tracé d'évacuation des gaz de fumée
- Contrôler la tension électrique
- Contrôler le raccordement du thermostat
- Inspecter les éventuels gaines d'aération, veiller à ce que la pression statique externe disponible dans le système de gaines corresponde à la pression figurant sur la plaque d'identification.
- Contrôler que le fonctionnement de l'appareil ne puisse pas être influencé par d'autres appareils, par des courants d'air localisés, par des vapeurs corrosives ou explosives, etc.
- Contrôler le fonctionnement et l'absence de fuite du régulateur de tirage à l'aide d'un miroir froid.
- Vérifiez les paramètres du capteur filtre sale: +60 Pa résistance avec un filtre propre (Set après le montage du canal).

Contrôler le type et la puissance du brûleur à gaz.

3.3 Contrôle de la charge nominale

Vérifier si la consommation de gaz correspond aux valeurs présentes dans le tableau [4]. Si les valeurs ne correspondent pas, modifier les valeurs conformément au manuel technique du brûleur.

3.4 Contrôle de la pré-pression

La pré-pression du gaz doit être mesurée sur le bloc gaz d'un appareil en fonctionnement. La pré-pression est indiquée sur la plaque d'identification de l'appareil.

3.5 Contrôle du thermostat de sécurité [6]

Contrôler le fonctionnement du thermostat de sécurité avant de mettre en service l'appareil. Un thermostat de sécurité en bon état de marche est une garantie de fiabilité et de durabilité pour l'appareil. Ce thermostat est installé et réglé en usine pour les appareils Föhn.

Réglage du thermostat de sécurité :

- Le thermostat de sécurité (STB) est réglé sur une valeur de 100°C, à partir de laquelle le brûleur est mis hors service et le thermostat mécaniquement verrouillé. La réinitialisation manuelle est indispensable;
- Thermostat de réglage (STW) maximum est bloqué (90°C). Au-delà, le brûleur est mis momentanément hors service;
- Thermostat de ventilateur Tmin: 40°C, le ventilateur est mis en service.
 30°C, le ventilateur est mis hors service.

3.6 Protection moteur

Conformément aux consignes générales en vigueur, les moteurs doivent être protégés contre toute surchauffe et toute surcharge au moyen d'un contact thermique. Celui-ci permet de mettre hors service le commutateur magnétique. Réinitialiser la sécurité thermique manuellement.

Sécurité thermique

Les sécurités thermiques sont réglées et verrouillées en usine. Contrôler l'ampérage du moteur de ventilateur. Si l'intensité absorbée est trop élevée, il est probable que la pression statique dans le système d'aération soit inférieure à celle figurant sur la plaque d'identification. En cas d'écart au niveau de la résistance externe du système de gaines d'aération, le client doit effectuer les réglages nécessaires pour aligner la valeur sur celle de la plaque d'identification. Ne jamais mettre de moteurs surchargés en service. Cela pourrait provoquer l'annulation de la garantie du moteur.

3.7 Mise hors service du dispositif de chauffage

Pour une période courte :

- Régler le thermostat d'ambiance sur la température minimale.
- Le brûleur est mis hors service et le ventilateur tourne jusqu'à ce que le thermostat de ventilateur provoque la mise hors service du moteur de ventilateur.

Pour une période plus longue :

- Régler le thermostat d'ambiance sur la température minimale.
- Une fois le ventilateur immobilisé, l'appareil peut être mis hors tension.

4.0 Entretien

4.1 Généralités

L'entretien de l'appareil doit être réalisé au moins une fois par an, et si nécessaire plus souvent. Demander éventuellement des conseils à un installateur qualifié pour l'entretien. Au cours de l'entretien, l'appareil doit être mis hors service pour une période plus longue. Veiller à ce que toutes les prescriptions de sécurité soient respectées.

4.2 Nettoyage [7]

- I Plaque de l'enveloppe
- II Chapeau de la boîte à fumée
- III Boîte à feu

Nettoyage de l'échangeur de chaleur

Après chaque saison (1 fois par an), vérifier si la chambre de combustion et le registre des conduites sont usés et présentent des fuites. Nettoyer si nécessaire. Avant de procéder au nettoyage, retirer la plaque de l'enveloppe. Le chapeau de la boîte à fumée ou de la boîte à feu doit être enlevé du registre des tubes de chaudière. Nettoyer les conduites du registre à l'aide d'une brosse nettoyante. Remarque : pour les appareils à gaz, il faut démonter les retardateurs puis les remonter après avoir effectué le nettoyage. L'ensemble doit être hermétiquement fermé, ce qui exclut l'utilisation de matériaux d'imperméabilisation usés. Ceux-ci doivent être remplacés. L'entretien du brûleur doit se dérouler conformément aux spécifications du fournisseur. Enlever le brûleur à gaz pour nettoyer la chambre de combustion. Éliminer les éventuelles particules de suie à l'aide d'un aspirateur.

4.3 Dispositif de commande [8]

Les travaux sur le dispositif de commande ne peuvent être effectués qu'après avoir pris les mesures de précaution adéquates, comme la mise hors tension de l'appareil. Le ventilateur dispose d'un système de post-ventilation automatique. Ne pas mettre l'appareil hors tension avant l'arrêt complet de ce système de post-ventilation. Contrôler le fonctionnement du thermostat de sécurité. En cas d'usure des courroies en V, ne pas remplacer les seules courroies en V usées par de nouvelles courroies, mais remplacer toutes les courroies en V simultanément auprès d'un seul fournisseur (veiller à utiliser des courroies en V avec le même numéro de série) ! Contrôler la présence de saleté au niveau du ventilateur. Nettoyer si nécessaire. Contrôler la tension de la courroie après 20 à 40 heures de fonctionnement. Retendre régulièrement pendant la première année de fonctionnement !

4.4 Filtre à air [9]

Nettoyer régulièrement les éventuels filtres d'aspiration, au besoin une fois par semaine. Si les filtres sont fortement encrassés, remplacer les filtres en question par une étamine de la même qualité et du même type. Un commutateur de contrôle du filtre à poussières doit être installé sur les appareils pourvus d'un filtre à air. Ce commutateur à pression met le brûleur hors service lorsque le filtre est encrassé. Le commutateur de contrôle du filtre dispose d'un système de réinitialisation mécanique. Réglage : Résistance filtre propre + 60Pa.

- A Douille de mesure de la pression
- B Bouton de réinitialisation

Lees dit document door voordat u aan de installatie van het toestel begint

Waarschuwing

Een foutief uitgevoerde installatie, afregeling, wijziging, reparatie of onderhoudsbeurt kan leiden tot materiële schade of verwondingen. Alle werkzaamheden moeten door erkende, gekwalificeerde vakmensen worden uitgevoerd. Indien het toestel niet volgens voorschrift wordt geplaatst, vervalt de garantie.

Dit apparaat is niet bedoeld voor gebruik door personen (inclusief kinderen) met verminderde lichamelijke, zintuiglijke of geestelijke vermogens, of gebrek aan ervaring en kennis, tenzij zij onder toezicht staan of worden geïnstrueerd over het gebruik van het apparaat door een persoon die verantwoordelijk is voor hun veiligheid. Kinderen moeten gecontroleerd worden om ervoor te zorgen dat ze niet met het apparaat spelen.

NL

Indien in de handleiding wordt verwezen naar een afbeelding of tabel, dan wordt een getal tussen vierkante haken vermeld, bijvoorbeeld [3]. Het nummer verwijst naar afbeeldingen en tabellen achterin de handleiding met het vermelde nummer.

1.0 Algemeen

1.1 Toepassing

Het toestel type Föhn is zowel geschikt voor het vrij en rechtstreeks aanzuigen van de te verwarmen lucht en het vrij uitblazen van de verwarmde lucht in de ruimte als voor aansluiting op een kanalen systeem.

Voor de verwarming van ruimten waarin zich corrosieve dampen bevinden (in het bijzonder gechloreerde koolwaterstoffen), die hetzij rechtstreeks vanuit de ruimte, hetzij van buiten via een aansluiting of open verbinding door de verwarmers kunnen worden aangezogen, kunnen verwarmers vanwege corrosiegevaar voor de warmtewisselaar niet worden toegepast.

Wijzigingen voorbehouden.

De fabrikant streeft continu naar verbetering van producten en behoudt zich het recht voor om zonder voorafgaande kennisgeving veranderingen in de specificaties aan te brengen. De technische details worden als correct verondersteld maar vormen geen basis voor een contract of garantie. Alle orders worden geaccepteerd onder de standaardcondities van onze algemene verkoop- en leveringsvoorwaarden (op aanvraag leverbaar).

1.2 Typeaanduiding

FÖHN G N 400 S/L 1 CB/C 1 1	FÖHN G N 400 S/L 2 CB/C 2 2	FÖHN G N 400 S/L 3 CB/C 2 2
G Gas	G Gas	G Gas
N Low NOx	N Low NOx	N Low NOx
400 Vermogen 400 kW	400 Vermogen 400 kW	400 Vermogen 400 kW
S Verticale uitvoering	S Verticale uitvoering	S Verticale uitvoering
L Horizontale uitvoering	L Horizontale uitvoering	L Horizontale uitvoering
I Brander Aan / Uit	2 Brander Hoog / laag	3 Brander Modulerend
CB Casco + ventilator	CB Casco + ventilator	CB Casco + ventilator
C Casco + externe ventilator	C Casco + externe ventilator	C Casco + externe ventilator
I Material branderkamer Staal	2 Material branderkamer RVS	2 Material branderkamer RVS
I Materiaal warmtewisselaar Staal	2 Materiaal warmtewisselaar RVS	2 Materiaal warmtewisselaar RVS

Alle typen toestellen staan in tabel **[4]**. In de rijen staan de diverse typen en in de kolommen staat technische informatie over de toestellen. Zie de legenda hierna.

Legenda behorende bij tabel **[4]**

- T Type
- A Nominaal vermogen
- B Nominale belasting (ow.)
- C Gasverbruik bij bepaalde gassoort
- D Nominale Luchtverplaatsing bij 35 K
- E Nominale Luchtverplaatsing bij 40 K
- F Nominale Luchtverplaatsing bij 45 K
- G Gewicht
- I Voedingsspanning
- J Afvoer diameter
- K Brander type Riello

- H/L Hoog/Laag
- M modulerend

- N Belasting (Hi)
- O Gasverbruik
- P P_{voordruk}
- Q CO_2^*
- R T_{rookgas}^{**}
- S Rookgasdebiet

* Tolerantie: +/- 0,2 %

** Tolerantie: +/- 15°C (afhankelijk van luchthoeveelheid en projectie)

- U Vermogen
- V Nozzle
- W Nozzle type
- X Nozzle druk
- Y Olieverbruik

1.3 Algemene waarschuwingen

Een foutieve installatie, afregeling, wijziging, onderhoudsafhandeling of herstelling kan leiden tot materiële en milieu schade en verwondingen. Laat daarom het toestel door een vakbekwaam en gekwalificeerd installateur installeren, aanpassen of ombouwen, met inachtneming van nationale en internationale regelgeving. Bij een foutieve installatie, afregeling, wijziging, onderhoudsafhandeling of herstelling vervalt de garantie. Dit apparaat is niet bedoeld voor gebruik door personen (inclusief kinderen) met verminderde lichamelijke, zintuiglijke of geestelijke vermogens, of gebrek aan ervaring en kennis, tenzij zij onder toezicht staan of worden geïnstrueerd over het gebruik van het apparaat door een persoon die verantwoordelijk is voor hun veiligheid. Kinderen moeten gecontroleerd worden om ervoor te zorgen dat ze niet met het apparaat spelen.

Toestel

Bij installatie van Föhn dienen de geldende landelijke en eventuele regionale en plaatselijke voorschriften (bijv. voorschriften van het gasbedrijf, bouwverordeningen, e.d.) te worden aangehouden. Het installeren van de Föhn mag slechts in een daartoe geschikte ruimte en op een daartoe geschikte plaats geschieden, zie hoofdstuk 2 Installatie.

Gastoevoer en gasaansluiting

Controleer voor installatie of de locale distributie condities, gas type en druk en de actuele afstelling van het toestel met elkaar overeenkomen. Op de binnenleiding dient een gekeurde gasstop kraan te worden aangebracht.

Bij toepassing van gassoort G25.3 is dit toestel afgesteld voor de toestelcategorie K (I₂K) en is het geschikt voor het gebruik van G en G+ distributiegassen volgens de specificaties zoals die zijn weergegeven in de NTA 8837:2012 Annex D met een Wobbe-index van 43,46 – 45,3 MJ/m³ (droog, 0 °C, bovenwaarde) of 41,23 – 42,98 (droog, 15 °C, bovenwaarde). Dit toestel kan daarnaast worden omgebouwd en/of opnieuw worden afgeregeld voor de toestelcategorie E (I₂E). Dit houdt derhalve in dat het toestel: “geschikt is voor G+-gas en H-gas, dan wel aantoonbaar geschikt is voor G+-gas en aantoonbaar geschikt is te maken voor H-gas” in de zin van het “Besluit van 10 mei 2016 tot wijziging van het Besluit gastoeu...”

Rookgas tracé

Verbrandingsgas afvoerleidingen dienen zo weinig mogelijk bochten te hebben; in het algemeen moet de weerstand tot een minimum worden beperkt. Indien de rookgasafvoerleiding langs of door brandbare wanden of vloeren wordt geleid, dan moet de leiding voldoende vrij liggen om brand te voorkomen.

Luchtfilter

Als een luchtfilter wordt toegepast dient altijd een vuilfilter bewakingschakelaar gemonteerd te worden

1.4 Denk aan uw veiligheid

Indien u een gasgeur waarneemt, is het uitdrukkelijk verboden:

- Een toestel te ontsteken
- Elektrische schakelaars aan te raken, telefoneren vanuit dezelfde ruimte

Onderneem de volgende acties:

- Sluit gastoevoer en elektriciteit af
- Activeer het bedrijfsnoodplan
- Evacueer eventueel het gebouw

2.0 Installatie

2.1 Plaatsing toestel

Controleer na het uitpakken het toestel op beschadiging. Controleer de juistheid van het type/model en de elektrische spanning. Plaats het toestel waterpas op een schoon oppervlak en eventuele accessoires op een voldoende stevige constructie [1 & 2] met inachtneming van de minimaal benodigde vrije ruimte [1]. Let vooral op de beschikbare ruimte die noodzakelijk is voor service en onderhoud. Bij montage moet er opgelet worden dat de trillingen van het toestel niet doorgegeven worden aan de constructie van het gebouw. Het is aan te bevelen tussen de vloer en het toestel een trillingsdempend materiaal aan te brengen. Voor liggende toestellen moeten de luchtkanalen zo zijn uitgevoerd, dat na het uitschakelen van de ventilator geen hete lucht stroom, tegen de normale luchtrichting in, kan ontstaan. Bij plaatsing in een stookruimte of opstellingsruimte moet aan geldende landelijke en eventuele regionale en plaatselijke voorschriften worden voldaan (bijv. voorschriften van de brandweer en bouw en woning toezicht). Bij de Föhn wordt de verbrandingslucht rechtstreeks uit de stookruimte of opstellingsruimte gezogen. Let hierbij op dat er geen onderdruk kan ontstaan. Daarnaast moet de ruimte beschikken over voldoende (niet afsluitbare) ventilatie openingen. Indien er geluidsdempers worden toegepast moet men een minimale afstand van 800 mm aan de uitblaszijde en 300 mm aan de aanzuigzijde aanhouden [2].

2.2 Plaatsing Verbrandingsgasafvoer en luchttoevoer

- Bochten in rookgasafvoerkanalen- en leidingen dienen zoveel mogelijk te worden vermeden of zo geleidelijk mogelijk verlopen.
- Horizontale delen in de rookgasafvoerleidingen dienen zo kort mogelijk te worden gehouden met een zo groot mogelijke hellingshoek.
- De rookgasafvoerkanalen –en leidingen van twee of meer luchtverwarmers dienen geheel gescheiden te zijn en mogen geen andere aansluitingen hebben.
- Ter bevordering van een gelijkmatige schoorsteentrek dient een trekregelaar te worden toegepast. Deze mag in geen enkele stand de doorlaat van rookgasafvoerkanaal of -leiding verkleinen. De trekregelaar wordt niet standaard met de luchtverwarmer meegeleverd. Deze moet apart besteld en gemonteerd worden indien de lengte van de rookgasafvoerleiding groter is dan 3m. Plaatsing in een gemetseld rookgas afvoerkanaal is eveneens mogelijk (B13toestel).
- Indien het niet mogelijk of wenselijk is een trekregelaar te monteren moeten passende maatregelen worden opgenomen zodat de schoorsteentrek gewaarborgd is. Indien de schoorsteentrek verandert in een overdruk situatie ($>0,5\text{mbar}$) moet de brander worden uitgeschakeld (B23toestel).
- De rookgasafvoerleiding dient zodanig te worden gelegd dat die geen brand kan veroorzaken. Bij doorgang door wanden, vloeren, plafonds en dakbeschoot dient een mantel buis toegepast te worden.
- Het rookgasafvoerkanaal moet een temperatuurbestendigheid hebben van $T=250^{\circ}\text{C}$.
- De rookgasafvoerleiding dient doelmatig te worden opgehangen en mag niet op de luchtverwarmer worden afgesteund. In verband met het schoonmaken van het toestel is tussen de rookgasafvoerleiding en de rookgasuitmonding van het toestel een ruimte van ca 200mm noodzakelijk. Toepassing van een los neembare verbinding (klemband) is hierbij gebruikelijk.
- Indien een toestel is uitgevoerd met een trekregelaar, kan onder invloed van valwinden kortstondig rookgas in de stookruimte of opstellingsruimte terecht komen.
- Er mag geen condensaat via de rookgasafvoer in het toestel komen. Daarom is het noodzakelijk dat de rookgasafvoerleiding een T-stuk met afdekdop bevat die voldoet aan deze eisen.
- Houdt bij de bepaling van het rookgasafvoer tracé rekening met de waarden in de tabel [4].

2.3 Trekregelaar [1]

Plaats de trekregelaar op een T-stuk tussen de rookgasafvoerleiding.

Het is noodzakelijk de trekregelaar af te stellen.

Plaats de trekregelaar met het gewichtje naar onderen zie [1]. Stel het gewichtje zodanig af dat de trekregelaar verticaal blijft staan. Let op ! de trekregelaar beslist niet horizontaal monteren.

2.4 Gasaansluiting

De installatie van de gasleiding en gaskraan moet voldoen aan de geldende plaatselijke en/of landelijke voorschriften. De gaskraan, moet zich binnen handbereik vanaf het toestel bevinden. Bij afpersen van de aansluitleiding boven 60mbar moet deze gaskraan gesloten worden. Pas bij twijfel over meekomend vuil een gasfilter toe. Blaas in ieder geval de gasleiding volgens de regels door vóór ingebruikname van het toestel.

2.5 Elektrische aansluiting

De installatie moet voldoen aan de geldende plaatselijke en/of landelijke voorschriften. Zorg voor een juiste aansluitgroep met hoofdzekering. LET OP!: Het toestel is fase gevoelig en werkt alleen wanneer het voldoende geaard is. Het toestel moet worden voorzien van een werkschakelaar die fase én nul (niet de aarde) onderbreekt. De werkschakelaar dient ten alle tijde bereikbaar te zijn. Absoluut nooit de voeding van het toestel (laten) onderbreken door andere schakelaars. Dit kan tot oververhitting van het toestel leiden.

2.6 Condensaansluiting [10] [11]

Het in de luchtverwarmer gevormde condensaat moet d.m.v. een open verbinding op het riool worden afgevoerd. De leiding moet zijn vervaardigd van kunststof, met een binnendiam. overeenkomstig de geldende voorschriften en zijn voorzien van een opvangtrechter en een stankafsluiter. Zorg er voor dat de afstand tussen de uitmonding van de condensafvoer en de afvoerleiding minimaal 5 mm en maximaal 10 mm bedraagt. Hierdoor ontstaat de vereiste open verbinding en is onderhoud aan het toestel eenvoudiger. Let op dat de condensafvoer vorstvrij wordt opgesteld. (bevroezingsgevaar!)

3.0 Inbedrijfstelling / buiten bedrijfstelling

3.1 Algemeen

Elk toestel wordt voor verpakken volledig op veiligheid en juiste werking getest. Voor het inregelen van de brander verwijs ik u naar het technisch boek van de brander. Nooit onoordeelkundig aan regelschroeven draaien. Vergeet vooral niet de gebruiker te instrueren over het correct gebruik en bedienen van het toestel en randapparatuur.

Het toestel beschikt alleen over een CE keur als deze is uitgevoerd met de volgende branders zie tabel [4].

3.2 Controlewerkzaamheden

De Mark Föhn mag alleen inbedrijf worden gesteld indien de eerder aangegeven controles zijn uitgevoerd.

In het bijzonder:

- alle schroeven controleren, sommige kunnen door het transport zijn losgeraakt.
- V-snaren op de juiste spanning controleren [8]
- Juiste draairichting van de ventilatoren controleren (zie draairichtingspijl op de ventilator)
- Jalouziekleppen laten openen / sluiten(indien aanwezig)
- Gasvoordruk (voor gasbrander controleren, zie hier voor typeplaat)
- Rookgasafvoerleiding en tracé controleren
- Elektrischespanning controleren
- Thermostaataansluiting controleren

- Eventuele luchtkanalen inspecteren, let op dat de externe beschikbare statische druk in het kanalen systeem overeenkomt met de druk op de typeplaat.
 - Controleer of de werking van het toestel niet kan worden beïnvloed door andere toestellen, plaatselijke luchtstromingen, corrosieve of explosieve dampen, enz.
 - Controleer de trekregelaar op werking en lekkage door middel van een koude spiegel.
 - Controleer Afstelling vuilfilter bewakingschakelaar: weerstand schoon filter + 60 Pa (instellen nadat de kanalen gemonteerd zijn).
- Let op het juiste type en vermogen van de gasbrander.

3.3 Controle van de nominale belasting

Controleer of het gasverbruik overeenkomt met de waarden in tabel [4]. Mochten de waarden niet overeen komen wijzig deze dan volgens het technischboek van de brander.

3.4 Controle van de voordruk

De gasvoordruk dient op het gasblok te worden gemeten bij een toestel dat in bedrijf is. De voordruk wordt vermeld op de typeplaat van het toestel.

3.5 Controle van de veiligheidsthermostaat [6]

Controleer de werking van de veiligheidsthermostaat voordat men daadwerkelijk met de inbedrijfstelling begint. Een goedwerkende veiligheidsthermostaat is een garantie voor de bedrijfszekerheid en levensduur van het toestel. Bij een compleet aangeleverde Föhn is deze van af de fabriek gemonteerd en ingesteld.

Instelling van de veiligheidsthermostaat:

- veiligheidsthermostaat (STB) heeft een vast ingestelde waarde van 100°C, bij deze temperatuur wordt de brander uitgeschakeld en de thermostaat mechanisch vergrendeld. Handmatig resetten is noodzakelijk;
- maximaal-regelthermostaat (STW) in blokkeerstand (90°C). Hierbij wordt de brander tijdelijk uitgeschakeld;
- ventilatorthermostaat T_{min}:

40°C,	ventilator wordt ingeschakeld.
30°C,	ventilator wordt uitgeschakeld.

3.6 Motorbescherming

Volgens algemeen geldende voorschriften moet elke motor tegen oververhitting en overbelasting worden beschermd doormiddel van een thermocontact. Hierdoor zal de magneet schakelaar worden uitgeschakeld. De thermische beveiliging handmatig resetten.

Thermische beveiliging

De thermischebeveiligingen zijn fabrieksmatig afgesteld en verzegeld. Controleer de stroomsterkte van de ventilatormotor, is de stroomopname te hoog dan is het waarschijnlijk dat de externe statische druk in het luchtsysteem lager is dan dat er opgegeven is volgens de gegevens van de typeplaat. Bij afwijkende externe weerstand in het luchtkanalansysteem dient de cliënt dit in overeenstemming te brengen met de aangegeven waarde op de typeplaat. Zet nooit overbelaste motoren in bedrijf. Hierdoor vervalt de garantie van de motor.

3.7 Buitenbedrijf stellen van de verwarmers

Voor korte tijd:

- Ruimtethermostaat op minimum temperatuur instellen.
- Brander schakelt uit en de ventilator loopt na tot de ventilatorthermostaat de ventilatormotor uitschakelt.

Voor langere tijd:

- Ruimtethermostaat op minimum temperatuur instellen.
- Nadat de automatische naloop van de ventilator heeft plaatsgevonden, kan het toestel spanningsloos gemaakt worden.

4.0 Onderhoud

4.1 Algemeen

Het onderhoud voor het toestel moet minstens eenmaal per jaar geschieden, zo nodig vaker. Vraag eventueel een gekwalificeerd installateur om onderhoudsadvies. Bij het verrichten van onderhoud dient het toestel voor langere tijd buitenbedrijf gesteld te zijn. Zorg voor naleving van alle veiligheidsvoorschriften.

4.2 Reiniging [7]

- I Mantelplaat
- II Rookkastdeksel
- III Vlamkast

Reiniging van de warmtewisselaar

Na ieder stookseizoen (1 keer per jaar) moet de verbrandingskamer en het pijpenregister op corrosie en lekken worden geïnspecteerd en zonodig gereinigd. Voor reiniging de mantelplaat verwijderen. Van het vlampijregister moet de rook- of vlamkastdeksel worden verwijderd. Met een reinigingsborstel de registerbuizen schoonmaken. Opmerking: Voor gasgestookte toestellen de gemonteerde retarders verwijderen en na reiniging weer her plaatsen. Het geheel moet goed sluitend worden gemaakt, hierbij mag geen oud afdichtingsmateriaal worden gebruikt. Men dient dit te vervangen. Onderhoud de brander volgens specificaties branderleverancier. Na het verwijderen van de gasbrander kan de verbrandingskamer worden schoongemaakt. Eventueel roetdeeltjes met een stofzuiger verwijderen.

4.3 Aandrijving [8]

Er mag alleen worden gewerkt aan de aandrijving als de juiste voorzorgsmaatregelen zijn genomen, zoals het spanningsloos maken van het toestel. De ventilator heeft een automatische naventilatie. Pas nadat de naventilatie is gestopt, mag men het toestel spanningsloos maken. Controleer de werking van de veiligheidsthermostaat. Bij versleten V-snaren geen oude en nieuwe V-snaren door elkaar gebruiken, maar de complete set V-snaren in één keer vervangen bij één leverancier afnemen (let hierbij op gelijke type nummers op de V-snaren)! Controleer de ventilator op vervuiling, zonodig reinigen. Controleer de snaarspanning na 20 tot 40 bedrijfsuren. In het eerste bedrijfsjaar regelmatig naspanssen!

4.4 Luchtfilter [9]

Eventuele aanzuigfilters dienen regelmatig, zonodig 1 maal per week, te worden gereinigd. Indien de filters zeer sterk vervuild zijn, dienen deze te worden vervangen door filter doek met dezelfde kwaliteit en aanduiding. Als een luchtfilter wordt toegepast dient altijd een vuilfilter bewakingschakelaar gemonteerd te worden. Deze drukschakelaar zal bij een vervuild filter de brander uitschakelen. De filterbewakingschakelaar heeft een mechanische 'reset' Afstelcriteria: Weerstand schoonfilter +60Pa.

- A Drukmeetnippel
- B Resetknop

Proszę przeczytać niniejszy dokument przed instalacją urządzenia

Ostrzeżenie

Nieprawidłowy montaż, regulacja, modyfikacje, naprawa lub konserwacja mogą prowadzić do strat materialnych, obrażeń ciała lub wybuchu. Wszystkie czynności muszą być wykonywane przez upoważnionych, kwalifikowanych specjalistów. Gwarancja traci ważność w przypadku, gdy urządzenie nie zostanie zainstalowane zgodnie ze wskazówkami.

Niniejsze urządzenie nie jest przeznaczone do użytku przez dzieci lub osoby o obniżonych możliwościach fizycznych, sensorycznych czy umysłowych ani też osoby nieposiadające odpowiedniego doświadczenia czy wiedzy, chyba że osoby takie pozostają pod nadzorem lub zostały przeszkolone w zakresie użytkowania urządzenia przez osobę odpowiedzialną za ich bezpieczeństwo. Należy dopilnować, aby dzieci nie używały tego urządzenia do zabawy.

PL

Jeżeli niniejsza instrukcja techniczna odnosi się do ilustracji czy tabeli, w nawiasach kwadratowych będzie to oznaczone w postaci numeru, na przykład [3]. Numer odnosi się do ilustracji i tabel na końcu podręcznika, które mają ustaloną numerację.

1.0 Informacje ogólne

1.1 Zastosowanie

Urządzenie typu Föhn to stacjonarna nagrzewnica powietrza służąca do ogrzewania powietrza recyrkulacyjnego i powietrza świeżego. Urządzenie jest w standardzie wyposażone w wentylator odśrodkowy. Urządzenie może być zasilane gazem ziemny lub propan. W urządzeniu można zamontować następujące rodzaje palników: włącz/wyłącz, high/low, modulowany.

Wysoki spręż dyspozycyjny wentylatora pozwala na możliwość podłączenia kanałów powietrznych. Urządzenie Fohn dostępne jest również w wersji zewnętrznej.

Zastrzeżone prawo do modyfikacji

Producent zobowiązany jest stale ulepszać swoje produkty i zastrzega sobie prawo do dokonywania zmian w specyfikacji urządzeń bez wcześniejszego powiadomienia. Szczegóły techniczne są uważane za poprawne, ale nie stanowią podłoża dla umowy czy gwarancji. Wszystkie zamówienia są akceptowane według standardowych warunków sprzedaży i dostaw (dostępne na życzenie).

1.2 Oznaczenie typu

FÖHN G N 400 S/L 1 CB/C 1 1	FÖHN G N 400 S/L 2 CB/C 2 2	FÖHN G N 400 S/L 3 CB/C 2 2
G Gaz	G Gaz	G Gaz
N Niski poziom emisji tlenku azotu	N Niski poziom emisji tlenku azotu	N Niski poziom emisji tlenku azotu
400 Moc 400 kW	400 Moc 400 kW	400 Moc 400 kW
S Model pionowy	S Model pionowy	S Model pionowy
L Model poziomy	L Model poziomy	L Model poziomy
I Wł. / wył. palnika	2 Wysoka/Niska palnika	3 Praca modulowana palnika
CB Obudowa + wentylator	CB Obudowa + wentylator	CB Obudowa + wentylator
C Obudowa + wentylator zewnętrzny	C Obudowa + wentylator zewnętrzny	C Obudowa + wentylator zewnętrzny
I Komora spalania: stal	2 Komora spalania: stal nierdzewna	2 Komora spalania: stal nierdzewna
I Wymiennik ciepła: stal	2 Wymiennik ciepła: stal nierdzewna	2 Wymiennik ciepła: stal nierdzewna

Wszystkie typy urządzeń są wyszczególnione w tabeli [4]. Poszczególne typy są wymienione w wierszach tabeli, natomiast w kolumnach znajdują się dane techniczne urządzeń. Patrz klucz poniżej.

Klucz do tabeli [4]

- T Typ
- A Obciążenie nominalne
- B Moc nominalna
- C Pobór określonego typu gazu
- D Przepływ powietrza przy 35 K
- E Przepływ powietrza przy 40 K
- F Przepływ powietrza przy 45 K
- G Waga
- I Napięcie zasilające
- J Średnica przyłącza wyjściowego
- K Palnik typu Riello

H/L Wysoka/Niska

M Praca modulowana

N Dane wejściowe(Hi)

O Przepływ gazu

P $P_{wlot\ gazu}$

Q CO_2^{**}

R $T_{spaliny}^{**}$

S Przepływ spalin

* Tolerancja: +/- 0,2 %

** Tolerancja: +/- 15°C (w zależności od wydatku powietrza i założeń)

U Dane wyjściowe

V Dysza

W Typ dyszy

X Ciśnienie dyszy

Y Zużycie oleju

1.3 Ostrzeżenia ogólne

Nieprawidłowy montaż, regulacja, modyfikacje, naprawa lub konserwacja mogą prowadzić do strat materialnych i środowiskowych, a także/lub uszkodzeń ciała. Wszystkie czynności muszą być wykonywane przez upoważnionych, kwalifikowanych specjalistów. Gwarancja traci ważność w przypadku, gdy urządzenie nie zostanie zainstalowane zgodnie ze wskazówkami.

Urządzenie

Podczas instalacji nagrzewnic powietrza, przestrzegaj obowiązujących przepisów (sformułowanych przez dostawcę gazu lub obowiązujących w budownictwie). Instalację nagrzewnicy powietrza można przeprowadzać tylko wtedy, gdy urządzenie znajduje się w odpowiedniej pozycji i miejscu, p. punkt 2 „Montaż”.

Zasilanie gazem i podłączenie gazu

Przed instalacją należy sprawdzić, czy spełnione są wszystkie miejscowe warunki dystrybucyjne, typ gazu i ciśnienie oraz bieżące regulacje urządzenia. W wewnętrznym przewodzie instalacji należy zamocować dopuszczony normami zawór odcinający gazu.

Odprowadzanie spalin

Przewody odprowadzające spaliny powinny mieć jak najmniej kolan. Ogólną zasadą jest bezwzględne zachowanie jak najmniejszego oporu przewodów. Jeżeli przewód wylotu spalin przechodzi wzdłuż lub przez ściany albo podłogi palne, wokół przewodu musi być dostatecznie dużo wolnego miejsca, aby chronić przed pożarem.

Filtr powietrza

W przypadku zamontowania filtra powietrza należy zawsze założyć czujnik zabrudzenia filtra.

1.4 Pomyśl o swoim bezpieczeństwie

Jeżeli wyczuwasz gaz, kategorycznie zabronione jest:

- zapalanie palnika urządzenia
- dotykanie przełączników elektrycznych i telefonowanie z zagrożonego miejsca

Należy podjąć następujące działania:

- odłączyć dopływ gazu i elektryczności
- uruchomić plan działania na wypadek awarii
- opuścić budynek, jeśli to konieczne

2.0 Montaż

2.1 Ustawianie urządzenia

Po rozpakowaniu należy sprawdzić nagrzewnicę pod względem uszkodzeń. Należy sprawdzić dokładność typu/modelu oraz wartość napięcia. Postawić urządzenie i wszelkie urządzenia dodatkowe na czystej i wystarczająco solidnej konstrukcji [1 & 2], biorąc pod uwagę wymaganą minimalną wymaganą wolną przestrzeń [1]. Podczas instalacji upewnij się, że wibracje emitowane przez urządzenie nie oddziałują na konstrukcję budynku. Zaleca się wyłożenie przestrzeni pomiędzy podłogą, a urządzeniem materiałami pochłaniającymi wibracje. W przypadku urządzeń montowanych poziomo, przewody powietrzne należy instalować tak, by – po wyłączeniu wentylatora – gorące strumienie powietrza nie przecinały zwykłego kierunku jego przepływu. W przypadku montażu nagrzewnicy w kotłowni lub innym pomieszczeniu należy zapewnić zgodność z właściwymi przepisami krajowymi oraz regionalnymi bądź lokalnymi (np. zarządzenia wydziału odpowiedzialnego za ochronę przeciwpożarową oraz zarządzenia nadzoru budowlanego i mieszkaniowego). W przypadku urządzeń Föhn powietrze potrzebne do spalania jest pobierane

bezpośrednio z kotłowni lub pomieszczenia, w którym urządzenie jest zamontowane. W przypadku takiego montażu należy uniemożliwić powstawanie podciśnienia. Ponadto należy wyposażyć daną przestrzeń w odpowiednią liczbę otworów wentylacyjnych (otwartych na stałe). W przypadku stosowania elementów wytumiających hałas należy je zamontować w odległości minimum 800 mm po stronie wyjściowej i 300 mm po stronie zasysania powietrza [2].

2.2 Ustawianie kanału spalinowego i doprowadzenia powietrza

- Za wszelką cenę należy unikać zagięć przewodów kominowych, lub redukować je do minimum. Należy się upewnić, że sekcje poziome w przewodach odprowadzających spaliny są jak najkrótsze i prezentują jak największe nachylenie.
- Kanały i przewody odprowadzające spaliny należące do dwóch lub więcej nagrzewnic powinny być odseparowane od siebie i nie powinny ich łączyć żadne inne połączenia. W celu zapewnienia stałego przepływu powietrza w kominie powinno się zainstalować regulator przepływu. Nie może to w żaden sposób redukować powietrzności kanału lub przewodu odprowadzającego spaliny. Regulator przepływu nie jest dostarczany razem z nagrzewnicą i należy zamówić go oddzielnie, a jego montaż jest konieczny gdy długość przewodu odprowadzającego spaliny przekracza 3 metry. Istnieje także możliwość zainstalowania go w ceglany kominie odprowadzającym spaliny. (urządzenie B13).
- Jeśli zamontowanie kominowego regulatora przepływu nie jest możliwe lub konieczne, należy podjąć odpowiednie działania w celu zapewnienia odpowiedniego przepływu powietrza przez komin. W przypadku, gdy zamiast ciągu w kominie pojawi się nadciśnienie (powyżej 0,5 mbar), należy wyłączyć palnik (urządzenie B23).
- Należy się upewnić, że położenie przewodu kominowego nie spowoduje pożaru. Przeprowadzając przewód przez ściany, podłogi lub stropy należy zastosować płaszcz izolacyjny.
- Przewód kominowy musi być w stanie wytrzymać temperaturę do $T=250^{\circ}\text{C}$.
- Przewód kominowy musi być bezpiecznie podwieszony i nie może opierać się o nagrzewnicę. Dla zapewnienia wystarczającej przestrzeni pozwalającej na czyszczenie, pomiędzy przewodem kominowym a otworem wylotu spalin należy zachować odstęp o długości ok. 200 mm.
- Standardowo, w tym celu, używa się ruchomego połączenia (klamra zaciskowa). Jeśli urządzenie jest wyposażone w kominowy regulator przepływu, gazy spalinowe mogą, w przypadku pojawienia się odwrotnego ciągu powietrza, na krótko zostać wdmuchnięte z powrotem do kotłowni lub pomieszczenia, w którym zainstalowana jest nagrzewnica.
- Należy upewnić się, że poprzez przewód spalinowy, do wnętrza urządzenia nie dostaje się skroplona para. Z tego powodu kanał odprowadzający gazy spalinowe musi być wyposażony w element typu T z nasadką.
- Podczas określania trasy odprowadzenia spalin, należy wziąć pod uwagę dane z tabeli [4].

2.3 Regulator ciągu [1]

Zamontuj regulator ciągu w trójniku, który znajduje się w kanale gazów spalinowych.

Regulator ciągu musi być umocowany w odpowiedniej pozycji.

Ustaw pozycję regulatora ciągu przy użyciu odważnika u dołu (patrz [1]). Ustaw odważnik tak, aby regulator ciągu pozostawał w pozycji pionowej. UWAGA! W żadnym wypadku nie wolno umocować regulatora ciągu poziomo.

2.4 Przyłącze gazowe

Instalacja rur gazowych i zaworu gazowego muszą być zgodne z odpowiednimi przepisami lokalnymi i/lub państwowymi. Zawór gazu musi znajdować się w pobliżu urządzenia. Jeżeli linia przyłącza jest przedmiotem ciśnień powyżej 60 mbar, niniejszy zawór gazowy musi być zamknięty. W przypadku jakichkolwiek wątpliwości dotyczących przedostawania się zanieczyszczeń, należy zastosować filtr gazu. Przed rozpoczęciem obsługi urządzenia należy zawsze odpiąć rurę gazu zgodnie z odpowiednimi przepisami.

2.5 Przyłącze elektryczne

Instalacja musi spełniać odpowiednie przepisy krajowe i międzynarodowe. Należy upewnić się, że jest zastosowany odpowiedni zestaw przyłączeniowy z bezpiecznikiem sieciowym. **UWAGA:** Urządzenie reaguje na kolejność faz zasilania i może pracować jedynie w przypadku właściwego uziemienia. Urządzenie musi być wyposażone w wyłącznik odcinający fazę i zero napięcia zasilającego (ale nie obwód uziemienia). Dostęp do wyłącznika musi być możliwy przez cały czas. W żadnym wypadku nie wolno przerywać zasilania urządzenia za pomocą innych przełączników. Może to doprowadzić do przegrzania urządzenia.

2.6 Przyłącze kondensacji [10] [11]

Skropliny, jakie powstają w nagrzewnicy, muszą zostać odprowadzone do systemu kanalizacji/ odpływu poprzez otwarte przyłącze. Rura musi być wykonana z tworzywa sztucznego o średnicy wewnętrznej zgodnej z obowiązującymi przepisami i być wyposażona w lejek wychwytyjący i syfon kanalizacyjny. Należy upewnić się, że odległość pomiędzy punktem odprowadzania skroplin a rurą odpływową wynosi co najmniej 5 mm, lecz nie więcej niż 10 mm. Umożliwia to utworzenie wymaganego otwartego połączenia i ułatwia konserwację urządzenia. Należy zapewnić ochronę rury odpływu skroplin przed mrozem (ryzyko zamarzania!).

3.0 Uruchomienie / Wyłączenie

3.1 Informacje ogólne

Przed opuszczeniem fabryki, każde urządzenie jest testowane pod względem bezpieczeństwa i poprawnego działania. Informacje dotyczące regulacji palnika znajdują się w instrukcji technicznej palnika. Nigdy nie wolno dokręcać śrub ustawczych. Nie wolno zapomnieć o przeszkoleniu użytkownika w zakresie właściwego użycia oraz funkcjonowania urządzenia i urządzeń zewnętrznych.

Urządzenie posiada certyfikat CE w przypadku, gdy jest wyposażone w palniki podane poniżej, p. tabela [4].

3.2 Czynności kontrolne

Użytkowanie nagrzewnicy Mark Föhn wolno rozpocząć dopiero po przeprowadzeniu czynności kontrolnych określonych powyżej.

W szczególności należy:

- skontrolować wszystkie śruby, część z nich mogła ulec obłuzowaniu podczas transportu
- upewnić się, że pasy klinowe są prawidłowo naprężone [8]
- upewnić się, że kierunek rotacji wentylatora jest prawidłowy (patrz strzałka kierunku rotacji na wentylatorze)
- otworzyć/zamknąć tłumiki (jeśli są zamontowane)
- sprawdzić ciśnienie wejściowe gazu (odpowiednie dla danego typu palnika, p. tabliczka znamionowa)
- sprawdzić przyłącze i poprawność ustawienia przewodu kominowego
- sprawdzić napięcie elektryczne
- sprawdzić przyłącze termostatu
- jeśli to konieczne, skontrolować wszelkie przewody powietrzne upewniając się, że zewnętrzne ciśnienie statyczne mierzone w kanałach odpowiada wartości ciśnienia podanej na tabliczce znamionowej
- sprawdzić, czy na działanie urządzenia nie mają wpływu inne urządzenia znajdujące się w pobliżu, występujące strumienie powietrza lub wybuchowe opary itd.
- korzystając z lusterka, sprawdzić kominowy regulator przepływu pod kątem prawidłowego działania i szczelności
- Sprawdź ustawienia brudnej matrycy filtr: +60 Pa oporu czystą filtr ust Ustaw po montażu kanał)

Należy sprawdzić, czy typ i moc palnika gazowego są właściwe.

3.3 Sprawdzenie ciśnienia nominalnego

Sprawdzić, czy zużycie gazu jest zgodne z wartościami podanymi w tabeli [4]. Jeśli wartości są inne, należy je zmienić zgodnie z dokumentacją techniczną palnika.

3.4 Sprawdzenie ciśnienia wstępnego

Ciśnienie wstępne gazu w urządzeniu gazowym należy mierzyć przy pracującym urządzeniu. Ciśnienie wstępne jest podane na tabliczce znamionowej urządzenia.

3.5 Sprawdzenie termostatu bezpieczeństwa [6]

Przed przekazaniem urządzenia do użytkowania należy sprawdzić prawidłowe działanie termostatu bezpieczeństwa. Prawidłowe działanie termostatu bezpieczeństwa gwarantuje niezawodną pracę i trwałość urządzenia. W przypadku, gdy nagrzewnica Föhn jest dostarczana w kompletnej postaci, element ten jest już fabrycznie zainstalowany i nastawiony.

Nastawianie termostatu bezpieczeństwa:

- Termostat bezpieczeństwa (STB) posiada zadaną wartość 100°C. Po osiągnięciu tej temperatury następuje wyłączenie palnika i mechaniczne zablokowanie termostatu. Termostat można odblokować wyłącznie ręcznie;
- Termostat maksymalnej regulacji (STW) powoduje blokadę przy 90°C, co czasowo wyłącza palnik;
- Termostat wentylatora T_{min}:
40°C, wentylator jest włączany.
30°C, wentylator jest wyłączany.

3.6 Zabezpieczenie silnika przed przeciążeniem

Zgodnie z ogólnie obowiązującymi przepisami, wszelkie silniki elektryczne muszą być zabezpieczone przed przegrzaniem i przeciążeniem za pomocą układu termicznego zabezpieczenia przeciwprzeciążeniowego. Układ ten powoduje załączenie przekaźnika. Termiczne zabezpieczenie przeciwprzeciążeniowe trzeba odblokowywać ręcznie.

Termiczne zabezpieczenie przeciwprzeciążeniowe

Termiczne zabezpieczenia przeciwprzeciążeniowe są nastawiane i plombowane fabrycznie. Należy sprawdzić natężenie prądu w silniku wentylatora; jeśli pobór prądu jest zbyt wysoki, to zewnętrzne ciśnienie statyczne w układzie powietrznym jest prawdopodobnie niższe od podanego na tabliczce znamionowej. Jeśli zostanie stwierdzone, że zewnętrzny opór w kanałach powietrza jest zbyt wysoki, klient musi to skorygować odpowiednio do wartości podanej na tabliczce znamionowej. Nie wolno korzystać z silników, które zostały wcześniej przeciążone. Spowoduje to unieważnienie gwarancji.

3.7 Wyłączanie nagrzewnicy

Na krótki okres czasu:

- Ustawić termostat pomieszczeniowy na minimalną temperaturę.
- Palnik zostanie wyłączony, a wentylator będzie pracował dopóki jego silnik nie zostanie wyłączony przez termostat wentylatora.

Na dłuższe okresy czasu:

- Ustawić termostat pokojowy na minimalną temperaturę.
- Po automatycznym wykonaniu wentylacji końcowej, wentylator może zostać wyłączony.

4.0 Konserwacja

4.1 Informacje ogólne

Urządzenie musi podlegać konserwacji co najmniej raz w roku lub jeżeli to konieczne, częściej. Jeżeli ma to zastosowanie, należy poprosić serwisanta o radę. W czasie przeprowadzania konserwacji urządzenie musi być wyłączone na dłuższy okres. Należy upewnić się, że są przestrzegane wszystkie zasady bezpieczeństwa.

4.2 Czyszczenie [7]

- I Ośłona
- II Nakładka sufitowa na kanał gazów spalinowych
- III Komora spalania

Czyszczenie wymiennika ciepła

Po zakończeniu każdego sezonu grzewczego (raz do roku) zarówno komorę spalania jak i wymiennik ciepła należy skontrolować pod względem korozji i przecieków, a w razie konieczności – wyczyścić. Aby uzyskać dostęp umożliwiający czyszczenie, należy zdjąć pokrywę. Należy zdjąć osłonę z rur do odprowadzania spalin lub osłonę komory spalania. Oczyścić rury szczotką. Należy wyjąć zamontowane opóźniacze i po czyszczeniu zamontować je ponownie. Należy założyć uszczelkę, która uniemożliwi powstawanie nieszczelności; nie wolno stosować starej uszczelki ani materiału uszczelniającego. Trzeba je wymienić. Konserwację palnika należy wykonywać zgodnie ze wskazówkami producenta. Po wyjęciu palnika istnieje możliwość wyczyszczenia komory spalania. Wszelkie cząstki sadzy należy usunąć odkurzaczem.

4.3 Napęd [8]

Wykonywanie prac przy napędzie jest możliwe wyłącznie po podjęciu odpowiednich czynności zapobiegawczych, na przykład odłączeniu urządzenia od zasilania. Wentylator pracuje automatycznie przez pewien czas po wyłączeniu nagrzewnicy. Po upływie czasu automatycznej pracy wentylatora urządzenie można odłączyć od zasilania. Sprawdzić, czy termostat bezpieczeństwa działa prawidłowo. Jeśli pasy klinowe są zużyte, to zamiast stosowania kombinacji starych i nowych pasów należy wymienić od razu cały zestaw pasów klinowych, zamówionych od jednego dostawcy (należy sprawdzić, czy na pasach podane są te same oznaczenia typu). Sprawdzić, czy wentylator nie jest zabrudzony i w razie potrzeby wyczyścić. Sprawdzić napięcie pasa po 20–40 godzinach pracy. Regularnie ustawiać napięcie podczas pierwszego roku eksploatacji.

4.4 Filtr powietrza [9]

Filtry po stronie wlotu powietrza powinny być regularnie czyszczone, w razie potrzeby nawet raz w tygodniu. Jeśli filtry są silnie zanieczyszczone, należy je wymienić na tkaninę filtrującą o tej samej jakości i przeznaczeniu. W przypadku zamontowania filtra powietrza należy zawsze założyć czujnik zabrudzenia filtra. Znajdujący się w nim wyłącznik ciśnieniowy będzie powodować wyłączenie palnika przy brudnym filtrze. Czujnik zabrudzenia filtra jest odblokowywany mechanicznie. Ustawienie: spadek ciśnienia +60 Pa przy czystym filtrze.

- A Złączka do pomiaru ciśnienia
- B Przycisk resetowania

Citiți acest document înainte de a instala încălzitorul

Avertisment

Instalarea, setarea, modificarea, repararea sau întreținerea incorectă poate duce la daune materiale sau la răniri. Toate activitățile trebuie efectuate de către personal calificat, aprobat. Dacă dispozitivul nu este așezat conform instrucțiunilor, garanția va fi anulată.

Acest aparat nu este destinat utilizării de către copii sau persoane cu un handicap fizic, senzorial sau mintal, sau care nu au experiența necesară, cu excepția cazurilor în care sunt supravegheate, sau au fost instruite să folosească aparatul, de către o persoană responsabilă cu siguranța lor. Copiii trebuie supravegheați, pentru a vă asigura că nu se joacă cu aparatul.

RO

Dacă manualul se referă la o imagine sau un tabel, un număr va apărea între paranteze pătrate, de exemplu [3]. Numărul face referință la imaginile și tabelele aflate la sfârșitul manualului, care au respectivul număr.

1.0 Informații generale

1.1 Aplicare

Aparatul de tip Föhn este destinat atât pentru aspirația directă, liberă, a aerului care trebuie încălzit, cât și pentru evacuarea liberă a aerului încălzit din încăpere, precum și pentru conectarea la o rețea de conducte.

Dacă zonele care vor fi încălzite conțin vapori corozivi (în special hidrocarburi clorinate), fie că sunt produse direct în zonă, fie că sunt atrase înăuntru din afară de către încălzitor printr-o conexiune sau racord deschis, încălzitoarele de aer montate pe perete nu pot fi folosite din cauză riscului de coroziune a schimbătorului de căldură.

Posibile schimbări

Producătorul se angajează să-și îmbunătățească constant produsele și își rezervă dreptul de a aduce modificări în specificații fără notificare prealabilă. Detaliile tehnice sunt considerate corecte, însă nu stau la baza unui contract de sau a unei garanții. Toate comenzile sunt acceptate în conformitate cu termenii standard ai condițiilor noastre de vânzare și livrare (disponibile la cerere).

1.2 Indicarea tipului

FÖHN G N 400 S/L 1 CB/C 1 1	FÖHN G N 400 S/L 2 CB/C 2 2	FÖHN G N 400 S/L 3 CB/C 2 2
G Gaz	G Gaz	G Gaz
N Low NOx	N Low NOx	N Low NOx
400 capacitate 400 kW	400 capacitate 400 kW	400 capacitate 400 kW
S Model vertical	S Model vertical	S Model vertical
L Model orizontal	L Model orizontal	L Model orizontal
I Arzător pornit/oprit	2 Arzător sus/jos	3 Arzător cu ajustare
CB Unitate de bază + ventilator	CB Unitate de bază + ventilator	CB Unitate de bază + ventilator
C Unitate de bază + ventilator extern	C Unitate de bază + ventilator extern	C Unitate de bază + ventilator extern
I Material cameră arzător din oțel	2 Material cameră arzător din oțel inoxidabil	2 Material cameră arzător din oțel inoxidabil
I Material schimbător încălzitor din oțel	2 Material schimbător încălzitor din oțel inoxidabil	2 Material schimbător încălzitor din oțel inoxidabil

Toate tipurile dispozitivului sunt menționate în tabelul [4]. Diferitele tipuri sunt introduse pe rânduri, în timp ce informațiile tehnice despre aparate sunt introduse în coloane. Vezi legenda de mai jos.

Legenda tabelului [4]

- T Tip
- A Putere nominală
- B Sarcină nominală (valoare inferioară)
- C Consum de gaz cu un anumit tip de gaz
- D Deplasare aer la 35 K
- E Deplasare aer la 40 K
- F Deplasare aer la 45 K
- G Greutate
- I Tensiune
- J Dimetru cale ieșire
- K Tip arzător Riello

H/L Temp. mare/Mică

M Ajustare

N Admisie (Hi)

O Debit gaz

P P admisie gaz

Q CO₂*

R T gaze arse**

S Debit gaze arse

* Toleranta +/- 0,2 %

** Toleranta +/- 15°C (in functie de cantitatea de aer si de proiectie)

U Putere

V Duza

W Tip duza

X Presiune duza

Y Consumul de ulei

1.3 Atenționări generale

O instalare, reglare, modificare, reparare sau întreținere efectuată incorect poate cauza daune materiale sau mediului înconjurător și/sau răniri. Instalația trebuie așadar să fie instalată, adaptată sau convertită de un instalator calificat, conform reglementărilor naționale și internaționale.

O instalare, reglare, modificare, activitate de întreținere sau reparare defectuoasă vor duce la anularea garanției.

Instalația

La instalarea încălzitoarelor de aer Föhn, respectați reglementările naționale și, dacă este cazul, pe cele regionale și locale (ex.: reglementările companiei de gaze, cele ale clădirii etc.). Instalarea încălzitoarelor de aer Föhn poate fi efectuată exclusiv în zone și locații destinate acestui scop (vezi Capitolul 2, Instalarea).

Alimentarea cu gaz și conectarea

Înainte de instalare, verificați ca toate condițiile locale de distribuție, tipul de gaz și presiunea să se potrivească cu setările instalației. Pentru conductele interne trebuie instalat un robinet pentru gaz aprobat.

Calea de evacuare a gazului

Conductele de evacuare a gazului trebuie să fie cât mai drepte; în termeni generali, rezistența la curgere trebuie menținută la o valoare cât mai mică. În cazul în care conducta de gaze arse trece de-a lungul sau prin pereții ori pardoselile cu risc de aprindere, conducta trebuie să aibă suficient spațiu pentru a preveni un incendiu.

Filtru de aer

Dacă instalația este prevăzută cu un filtru de aer, trebuie să existe și un senzor de detectare a murdăriei din filtru.

1.4 Nu neglijați niciodată siguranța dvs

Dacă simțiți miros de gaz, este interzis în mod special:

- Să aprindeți vreo instalație
- Să atingeți întrerupătoarele sau să folosiți telefonul în zona respectivă

Luați următoarele măsuri:

- Închideți gazul și electricitatea
- Activați planul de urgență operațional
- Dacă este necesar, evacuați clădirea

2.0 Instalarea

2.1 Poziționarea încălzitorului

După dezasblare, verificați ca unitatea să nu fie deteriorată. Verificați corectitudinea informațiilor privind tipul/modelul și tensiunea electrică. Plasați aparatul pe o suprafață plană și curată și toate accesoriile pe o structură suficient de solidă [1 & 2], ținând cont de spațiul liber minim necesar [1]. Fiți în special atenți la spațiul necesar pentru lucrări de reparație și întreținere. Când instalați încălzitorul, asigurați-vă vă nu poate transmite vibrații structurii clădirii. Este recomandată utilizarea unor materiale de combatere a vibrațiilor între pardoseală și dispozitiv. În cazul încălzitoarelor orizontale, conductele de aer trebuie proiectate în așa fel încât, atunci când ventilatorul este oprit, aerul fierbinte să nu poată bate în direcția opusă debitului normal de aer. Când instalați încălzitorul într-o sală de cazane sau altă încăpere, trebuie să respectați reglementările naționale aplicabile și orice reglementări regionale sau locale (spre ex. reglementările pompierilor și cele ale inspectoratului construcțiilor și locuințelor). În cazul

modelului Föhn, aerul de combustie este luat direct din sala cazanelor sau din camera în care este instalat. În aceste situații, asigurați-vă că nu pot apărea cazuri de subpresiune. În plus, aria trebuie echipată cu un număr adecvat de orificii de ventilare (permanent deschise). Dacă se folosesc amortizoare de zgomot, acestea trebuie instalate la o distanță minimă de 800 cm pe latura de evacuare și 300 mm pe latura de aspirare [2].

2.2 Poziționarea sistemului de evacuare a gazului și alimentării cu aer

- Conductele și țevile de evacuare a gazului trebuie să fie cât mai drepte sau cât mai graduale.
- Secțiunile horizontale ale sistemului de evacuare a gazului ars trebuie să fie cât mai scurte și înclinate la unghiul maxim posibil.
- Conductele și țevile de evacuare a gazului ars de la două sau mai multe încălzitoare trebuie ținute separat și este interzis orice alt racord la ele.
- Conductele și țevile de evacuare a gazului ars de la două sau mai multe încălzitoare trebuie ținute separat și este interzis orice alt racord la ele. Pentru a asigura un tiraj constant, un regulator de tiraj trebuie instalat. Acest regulator nu poate crea niciun fel de comprimare în conducta sau țeava de evacuare a gazelor arse. Regulatorul de tiraj nu este furnizat împreună cu încălzitorul de aer și trebuie comandat și instalat separat dacă lungimea conductei de evacuare a aerului depășește 3 metri. Montarea acestui regulator este posibilă și pentru un coș de evacuare a gazelor fabricat de cărămidă (instalație B13).
- Dacă instalarea unui regulator de tiraj al coșului de fum nu este posibilă sau nu este necesară, trebuie să luați măsurile necesare pentru a asigura un tiraj adecvat. Dacă tirajul coșului se modifică și ajunge la suprapresiune ($>0,5$ mbar), arzătorul trebuie oprit (instalație B23).
- Conducta de evacuare a gazului trebuie instalată în așa fel încât să nu provoace un incendiu. Când montați conducta în pereți, pardoseli și acoperiș, folosiți o bucă.
- Conducta de evacuare a gazului trebuie să reziste unei temperaturi de $T=250^{\circ}\text{C}$.
- Conducta de evacuare a gazului trebuie bine suspendată și este interzisă sprijinirea ei pe încălzitorul de aer. Pentru a permite curățarea instalației, este necesar un spațiu liber de aproximativ 200 mm între conducta de evacuare a gazului și calea de ieșire a gazelor arse din instalație.
- Pentru aceasta, trebuie folosit un racord sudabil (placă de fixare). Dacă instalația este prevăzută cu regulator de tiraj pe coș, gazele evacuate pot fi purjate înapoi în sala cazanelor sau în încăperea în care este instalată în cazul în care se face curent.
- Nu trebuie permisă formarea de condens în încălzitor prin conducta de evacuare a gazelor arse. Din acest motiv, conducta de evacuare a gazelor arse trebuie să includă o piesă în formă de T cu un capac.
- La determinarea traseului de evacuare a gazelor arse se vor lua în considerare valorile din tabelul [4].

2.3 Regulator de aer [1]

Instalați regulatorul de aer într-un racord în T în conducta de gaze arse.

Regulatorul de aer trebuie setat corect.

Poziționați regulatorul cu greutatea în jos, vezi [1]. Ajustați greutatea, astfel încât regulatorul de aer să rămână pe verticală. **ATENȚIE!** În niciun caz nu montați regulatorul de aer pe verticală.

2.4 Racord de gaz

Instalația conductelor de gaz și a robinetului de gaz trebuie să respecte reglementările locale și/ sau naționale relevante. Robinetul de gaz trebuie să fie poziționat în raza de acțiune a aparatului [9]. În cazul în care linia de conexiune este supusă unor presiuni de peste 60mbar, robinetul de gaz trebuie să fie închis. Dacă există riscul prezenței de murdărie în gaz, folosiți un filtru de gaz. Conducta de gaz trebuie întotdeauna purjată conform reglementărilor înainte ca aparatul să fie pus în funcțiune.

2.5 Racord electric

Instalarea trebuie să fie conformă reglementărilor locale și/sau naționale. Conexiunea trebuie să se facă în mod corect, cu o siguranță principală. **VĂ RUGĂM REȚINEȚI!** Unitatea este sensibilă la fază și va funcționa numai dacă este corect împământată. Aparatul trebuie dotat cu un întrerupător de izolare care întrerupe faza și neutru (și nu pământul). Întrerupătorul de izolare trebuie să fie tot timpul accesibil. Nu permiteți, în niciun caz, ca alimentarea să fie întreruptă de la alte comutatoare. Aceasta ar putea duce la supraîncălzirea aparatului.

2.6 Racord pentru evacuarea condensului [10] [11]

Condensul care se formează în încălzitorul de aer trebuie drenat în sistemul de canalizare/drenaj printr-un racord pentru evacuarea condensului. Țeava trebuie să fie confecționată din plastic, cu un diametru intern care să fie conform reglementărilor aplicabile și echipată cu un coș colector și un sifon. Asigurați-vă că distanța dintre punctul de evacuare a condensului și tubul de evacuare este de cel puțin 5 mm, însă nu mai mare de 10 mm. Aceasta creează recordul deschis necesar și face procesul de întreținere mai ușor. Asigurați-vă că țeava de evacuare a condensului este protejată împotriva înghețului. (Risc de îngheț!)

3.0 Pornire / oprire

3.1 Informații generale

Înainte de ambalare se testează siguranța și funcționarea corectă a fiecărui încălzitor. Pentru instrucțiunile privind reglarea arzătorului, consultați manualul tehnic. Nu rotiți niciodată șuruburile incorect. Nu uitați să informați utilizatorul cu privire la utilizarea și funcționarea corectă a aparatului și a perifericelor.

Dispozitivul este certificat de UE dacă este echipat cu următoarele arzătoare, vezi tabel [4].

3.2 Verificări

Dispozitivul Mark Föhn poate fi pus în funcționare doar dacă s-au efectuat verificările de mai sus. În special:

- Verificați toate șuruburile, unele ar putea fi slăbite în timpul transportării.
- Verificați dacă curelele trapezoidale sunt corect strânse [8]
- Verificați dacă direcția de rotire a ventilatoarelor este corectă (vezi săgeata de direcție de pe ventilator)
- Deschideți/închideți amortizoarele (dacă există)
- Verificați pre-presiunea gazului (pentru tipul de arzător, consultați plăcuța)
- Verificați conductele și căile de evacuare a gazului
- Verificați tensiunea electrică
- Verificați racordul termostatului
- Dacă este cazul, verificați conductele de aer, asigurați-vă că presiunea statică externă din conducte corespunde presiunii indicate pe plăcuța de informații.
- Asigurați-vă că operarea aparatului nu poate fi influențată de alte aparate din vecinătate, debite de aer sau vapori explozivi sau corozivi etc.
- Verificați dacă regulatorul de tiraj al coșului funcționează corect și dacă există scurgeri, folosind o oglindă veche.
- Verificați setările senzorului de filtru murdar: +60 Pa rezistentă, cu un filtru curat (Setați după montarea canal).

Verificați dacă tipul arzătorului pe bază de gaz sunt corecte.

3.3 Verificați presiunea nominală

Verificați dacă consumul de gaz este conform valorilor din tabelul [4]. Dacă valorile diferă, schimbați-le conform manualului tehnic pentru arzător.

3.4 Verificați pre-presiunea

Pre-presiunea gazului din unitatea de control al gazelor trebuie măsurată pe un aparat aflat în stare de funcționare. Pre-presiunea este indicată pe plăcuța aparatului.

3.5 Verificarea termostatului de siguranță [6]

Înainte de prima operare a dispozitivului, asigurați-vă că termostatul de siguranță funcționează corect. Operarea corectă a termostatului de siguranță garantează fiabilitatea și operațională și durabilitatea aparatului. Dacă dispozitivul Föhn este livrat sub formă de unitate întregă, acesta este montat și reglat la valorile din fabrică.

Reglarea termostatului de siguranță:

- Termostatul de siguranță (STB) este invariabil setat la 100°C; când se atinge această temperatură, arzătorul este oprit, iar termostatul este blocat mecanic. Termostatul poate fi resetat doar manual;
- termostat de control maxim (STW) în stare blocată (90°C). Arzătorul este temporar oprit atunci când această temperatură este atinsă;
- T_{min} termostat ventilator: 40°C, ventilatorul este pornit.
30°C, ventilatorul este oprit.

3.6 Siguranță supra-încărcare motor

Conform reglementările general aplicabile, toate motoarele electrice trebuie protejate împotriva supra-încălzirii și supra-încărcării, printr-o siguranță pentru supra-încărcare termică. Aceasta decuplează releul. Siguranța de supra-încărcare termică trebuie resetată manual.

Siguranța de supra-încărcare termică

Siguranțele de supra-încărcare termică sunt setate și sigilate în fabrică. Verificați antrenarea curentului din motorul ventilatorului; dacă antrenarea curentului este prea mare, presiunea statică externă din sistemul de aer este probabil mai mică decât informațiile indicate pe plăcuță. Dacă se descoperă că rezistența externă din conductele de aer este incorectă, clientul trebuie să o corecteze folosind valorile indicate pe plăcuța de informații. Nu operați niciodată motoarele care au fost supra-încărcate. Aceasta va duce la anularea garanției.

3.7 Oprirea încălzitorului

Pentru perioade scurte de timp:

- Setați termostatul de cameră la temperatura minimă.
- Încălzitorul se oprește, iar ventilatorul continuă să funcționeze până când termostatul său oprește motorul ventilatorului.

Pentru perioade lungi de timp:

- Setați termostatul de cameră la temperatura minimă.
- După ce timpul de post-ventilare a ventilatorului automat s-a scurs, alimentarea la curent a dispozitivului poate fi întreruptă.

4.0 Întreținere

4.1 Informații generale

Aparatul trebuie să fie verificat cel puțin o dată pe an sau mai des, dacă este necesar. Dacă este cazul, adresați-vă unui instalator calificat pentru indicații în vederea întreținerii. Aparatul trebuie să fie oprit pentru o perioadă mai lungă înaintea efectuării serviciilor de întreținere. Asigurați-vă că respectați toate normele de securitate.

4.2 Curățarea [7]

- I Placă de acoperire
- II Capac de refluxare a gazului ars
- III Cameră de combustie

Curățarea schimbătorului de căldură

În fiecare an, după terminarea sezonului principal de încălzire, camera de combustie și sistemul de conducte trebuie inspectate pentru a se verifica coroziunea și scurgerile și pentru a fi curățate dacă este necesar. Îndepărtați placa de acoperire pentru a avea acces. De pe sistemul de conducte, îndepărtați capacul de refluxare a gazului ars sau capacul camerei de combustie. Curățați țevile cu ajutorul unei perii. Îndepărtați limitatoarele prevăzute și remontați-le după curățare. Trebuie creată o garnitură contra scurgerilor; nu folosiți garnituri sau material de izolare vechi. Acestea trebuie înlocuite. Întrețineți arzătorul respectând instrucțiunile fabricantului. După îndepărtarea arzătorului pe bază de gaz, camera de combustie poate fi curățată. Îndepărtați particulele de funingine folosind un aspirator.

4.3 Dispozitiv de acționare [8]

Lucrările la dispozitivul de acționare pot fi efectuate doar dacă s-au luat măsurile de precauție corespunzătoare, precum deconectarea aplicației de la alimentarea cu curent electric. Ventilatorul post-ventilează automat. După terminarea timpului de post-ventilare, instalația poate fi deconectată de la sursa de alimentare cu curent electric. Verificați dacă termostatul de siguranță funcționează corect. Dacă curelele trapezoidale sunt uzate, în loc să folosiți un amestec de curele vechi și noi, trebuie să reinnoiți setul complet de curele trapezoidale în același timp, pe care să le comandați de la un singur furnizor (verificați dacă numărul tipului este același pentru fiecare dintre ele)! Verificați dacă ventilatorul este murdar și dacă este necesar, curățați-l. Verificați tensiunea curelei după 20-40 ore de operare. Re-tensionați regulat în primul an de operare!

4.4 Filtru de aer [9]

Filtrele de pe partea de aspirare trebuie curățat cu regularitate, chiar o dată pe săptămâna dacă este necesar. Dacă filtrele sunt foarte murdare, Trebuie înlocuite cu filtre din material de aceeași calitate și cu aceeași destinație. Dacă instalația este prevăzută cu un filtru de aer, trebuie să existe și un senzor de detectare a murdăriei din filtru. Acest comutator de presiune va deconecta arzătorul atunci când filtrul este murdar. Senzorul de detectare a murdăriei din filtru se poate reseta mecanic. Setări: rezistență de +60 Pa cu filtru curat.

- A Indicator de presiune
- B Buton de resetare

Внимательно прочитайте этот документ перед установкой агрегата

Предупреждение

Неправильно выполненная установка агрегата, его регулировки, изменения, ремонт или техническое обслуживание могут привести к травмированию людей и нанесению материального ущерба. Все работы должны выполняться сертифицированными, квалифицированными специалистами. Неправильная установка агрегата приведет к прекращению действия гарантии.

Этот агрегат не предназначен для использования лицами (включая детей) с ограниченными физическими, сенсорными или умственными способностями или недостатком опыта и знаний, за исключением случаев, когда применение агрегата осуществляется под руководством лица, ответственного за их безопасность. Исключить доступ к агрегату детей.

Если в руководстве делается ссылка на рисунок или таблицу, то в квадратных скобках указывается цифра, например, [3]. Цифра указывает на рисунки и таблицы с соответствующим номером в конце руководства.

RU

1.0 Общие положения

1.1 Область применения

Агрегат типа “Föhn” предназначен как для свободного и прямого всасывания нагреваемого воздуха, так и для свободного выдувания нагретого воздуха в помещение, а также для подключения к системе воздуховодов.

Для обогрева помещений, в которых присутствуют вызывающие коррозию пары (особенно хлорированные углеводороды), которые могут всасываться воздушнонагревателем непосредственно из помещения или через соединение, либо через открытое соединение снаружи, нагреватели запрещено применять из-за риска коррозии теплообменника.

Мы оставляем за собой право на технические изменения

Производитель постоянно стремится к улучшению изделия, и он оставляет за собой право вносить изменения в технические характеристики без предварительного уведомления. Предполагается, что технические данные являются правильными, но они не являются основанием для договора или гарантийных претензий. Все заказы принимаются в соответствии со стандартными требованиями в наших общих условиях продажи и поставки (доступны по запросу).

1.2 Обозначение типа

FÖHN G N 400 S/L 1 CB/C 1 1	FÖHN G N 400 S/L 2 CB/C 2 2	FÖHN G N 400 S/L 3 CB/C 2 2
G Газ	G Газ	G Газ
N Низкий уровень оксида азота NOx	N Низкий уровень оксида азота NOx	N Низкий уровень оксида азота NOx
400 Мощность 400 kW	400 Мощность 400 kW	400 Мощность 400 kW
S Вертикальное исполнение	S Вертикальное исполнение	S Вертикальное исполнение
L Горизонтальное исполнение	L Горизонтальное исполнение	L Горизонтальное исполнение
1 Горелка вкл. / выкл.	2 Горелка высокая / низкая	3 Модулирующая горелка
CB Короб + вентилятор	CB Короб + вентилятор	CB Короб + вентилятор
C Короб + внешний вентилятор	C Короб + внешний вентилятор	C Короб + внешний вентилятор
1 Материал камеры горелки сталь	2 Материал камеры горелки нержавеющая сталь	2 Материал камеры горелки нержавеющая сталь
1 Материал теплообменника сталь	2 Материал теплообменника нержавеющая сталь	2 Материал теплообменника нержавеющая сталь

Все типы агрегатов перечислены в таблице [4]. В строках перечислены различные типы, в столбцах - технические данные агрегатов. Смотрите следующие условные обозначения.

Условные обозначения к таблице [4]

T Тип

A Номинальная мощность

B Номинальная нагрузка (нижнее значение)

C Расход газа при определенном типе газа

D Номинальное вытеснение воздуха при 35 K

E Номинальное вытеснение воздуха при 40 K

F Номинальное вытеснение воздуха при 45 K

G Масса

I Питающее напряжение

J Диаметр отводной линии

K Тип горелки Riello

H/L Высокая / Низкая

M модулирующая

N Номинальная нагрузка (минимальная теплота сгорания)

O Расход газа

P Давление газа

Q CO₂*

R Температура отработавших газов**

S Количество отработавших газов

* Допуск: +/- 0,2 %

** Допуск: +/- 15°C (в зависимости от объема воздуха и проектирования)

U Мощность

V Сопло

W Тип сопла

X Давление на выходе струи из сопла

Y Расход масла

1.3 Общие предупреждения

Ненадлежащая установка, настройка, изменение, техническое обслуживание или ремонт могут привести к травмированию людей и нанесению материального ущерба или вреда окружающей среде. Поэтому агрегат должны устанавливать, адаптировать или реконструировать только компетентные и квалифицированные специалисты с учетом национальных и международных норм. В случае неправильной установки, настройки, изменения, технического обслуживания или ремонта перестает действовать гарантия.

Агрегат

При установке воздухонагревателя необходимо соблюдать действующие национальные и, если применимо, региональные и местные нормы (например, правила газовой компании, строительные нормы и т.п.). Установка нагревателя может проводиться только в помещениях, подходящих для этой цели, и в подходящем для этого месте; см. главу 2 «Монтаж».

Подача и подключение газа

Überprüfen Sie vor der Installation, ob die lokalen Versorgungsbedingungen, Gasart und -druck und die aktuelle Einstellung des Geräts miteinander übereinstimmen. An der Innenleitung ist ein geprüfter Gasabsperrhahn anzubringen.

Verlauf der Abgasleitungen

Abgasleitungen müssen mit möglichst wenig Kurven verlegt werden; im Allgemeinen muss der Widerstand auf ein Minimum begrenzt werden. Wenn die Abgasableitung durch brennbare Wände oder Böden oder an ihnen entlang geführt wird, muss die Leitung zur Vermeidung von Bränden einen ausreichenden Abstand haben.

Воздушный фильтр

Если используется воздушный фильтр, всегда устанавливайте реле контроля загрязнения фильтра.

1.4 Подумайте о своей безопасности

Если вы почувствуете запах газа, то категорически запрещено:

- расжигать нагреватель
- трогать выключатели или звонить по телефону в том же помещении

Примите следующие меры:

- отключить подачу газа и электропитание
- выполнять план действий в чрезвычайных ситуациях предприятия
- при необходимости начать эвакуацию из здания

2.0 Монтаж

2.1 Установка агрегата

Проверьте агрегат на наличие повреждений после распаковки. Проверьте правильность поставленного типа / модели и электрического напряжения. Установите агрегат горизонтально на чистую поверхность, а возможные принадлежности на достаточно устойчивую конструкцию [1 и 2]; соблюдайте при этом требуемое минимальное расстояние [1]. Обратите особое внимание на пространство, необходимое для чистки и обслуживания. При монтаже убедитесь, что вибрация агрегата не передается на конструкцию здания. Рекомендуется установить вибродемпфирующий материал между полом и агрегатом. У агрегатов, устанавливаемых в горизонтальном положении, воздуховоды должны быть выполнены так, чтобы после выключения вентилятора не возникал поток горячего воздуха, противоположный нормальному направлению воздушного потока. При установке агрегата в котельной или рабочем помещении должны соблюдаться действующие национальные и, если применимо, региональные и местные

нормы (например, правила пожарной охраны и надзора за строительством и жильем). Для нагревателя воздух для горения всасывается непосредственно из котельной или рабочего помещения. Убедитесь, что невозможно возникновение разрежения. Кроме того, в помещении должны иметься достаточные (не закрывающиеся) вентиляционные отверстия. Если используются демпферы шума, необходимо соблюдать минимальное расстояние 800 мм со стороны выхода и 300 мм со стороны всасывания [2].

2.2 Установка трубопроводов для отработавших газов и подачи воздуха

- Следует максимально избегать изгибов газоотводных каналов и труб, и они должны проходить как можно более плавно.
- Горизонтальные участки газоотводных каналов и труб должны быть как можно короче, а углы наклона - как можно больше.
- Газоотводные каналы и трубы двух или более воздухонагревателей должны быть полностью отделены друг от друга и не должны иметь никаких других соединений.
- Для обеспечения равномерной тяги в дымовой трубе необходимо использовать регулятор тяги. Он нигде не должен уменьшать проход в газоотводных каналах и трубах. Регулятор тяги не входит в объем поставки воздухонагревателя. Его надо заказывать отдельно. Регулятор тяги должен быть установлен, если длина газоотводного канала превышает 3 м. Также возможна установка в кирпичном дымоходе (агрегат В13).
- Если установка регулятора тяги невозможна или нежелательна, необходимо принять соответствующие меры для обеспечения тяги дымохода. Если происходит изменение давления в дымовой трубе в случае появления избыточного давления ($> 0,5$ мбар), то должно происходить отключение горелки (агрегат В23).
- Газоотводная труба должна быть проложена так, чтобы она не могла стать причиной пожара. При прохождении через стены, полы, потолки и опалубку крыши следует использовать трубу-оболочку.
- Газоотводная труба должны иметь термостойкость $T = 250$ °C.
- Газоотводная труба должна быть правильно подвешена и не должна опираться на воздухонагреватель. Для чистки воздухонагревателя необходимо оставить зазор около 200 мм между отводом для дымовых газов и выпускным отверстием воздухонагревателя. Использование разъемного соединения (обжимного хомута) является распространенным явлением.
- В случае оснащения воздухонагревателя регулятором тяги отработавшие газы под воздействием нисходящих потоков воздуха/ветра на короткое время могут попадать в котельную или помещение для воздухонагревателя.
- Конденсат не должен попасть в агрегат через систему удаления отработавших газов. Поэтому отвод для отработавших газов должен иметь тройник с заглушками.
- При проектировании газоотводной системы просим обратить внимание на информацию, приведенную в таблице [4].

2.3 Регулятор тяги [1]

Установите регулятор тяги на тройник между линией отвода дымовых газов.

Регулятор тяги необходимо отрегулировать.

Прикрепите снизу к регулятору тяги груз; см. [1]. Отрегулируйте груз так, чтобы регулятор натяжения оставался в вертикальном положении. Внимание! Регулятор тяги ни в коем случае не должен устанавливаться горизонтально.

2.4 Подключение газа

Монтаж газопровода и газового крана должен соответствовать действующим местным и / или национальным нормам. Газовый кран должен находиться в пределах досягаемости агрегата. При превышении давления в соединительном трубопроводе 60 мбар этот газовый кран должен закрываться. Если есть вероятность загрязнения, используйте газовый фильтр. В любом случае, перед тем, как приступить к эксплуатации, продуйте газовый трубопровод в соответствии с правилами.

2.5 Электрическое подключение

Установка агрегата должна соответствовать действующим в стране и местным нормам. Убедитесь, что у вас есть подходящая группа соединений с главным предохранителем. **ВНИМАНИЕ:** агрегат фазочувствителен и работает, только если он в достаточной степени заземлен. Агрегат должен быть оборудован выключателем питания, который прерывает фазу и ноль (не заземление). Разъединитель должен быть всегда доступен. Ни в коем случае нельзя прерывать подачу питания к агрегату другими выключателями. Это может привести к перегреву агрегата.

2.6 Подключение линии отвода конденсата [10] [11]

Конденсат, образовавшийся в воздухонагревателе, должен отводиться через открытое соединение в канализационную систему. Труба должна быть изготовлена из пластика, внутренний диаметр должен соответствовать действующим нормам и иметь сборную воронку и канализационный сифон. Убедитесь, что расстояние между выходом конденсатоотводчика и отводящей линией составляет не менее 5 мм и не более 10 мм. Это создает необходимое открытое соединение и облегчает обслуживание агрегата. Убедитесь, что отвод конденсата расположен в не замерзающей зоне. (Опасность замерзания!).

3.0 Ввод в эксплуатацию/снятие с эксплуатации

3.1 Общие положения

Каждый агрегат перед упаковкой полностью проверяется на безопасность и правильное функционирование. Для настройки горелки приводятся ссылки на техническое руководство горелки. Никогда не поворачивайте ненадлежащим образом регулировочные винты. Прежде всего, не забудьте показать пользователю правильное обращение с агрегатом и его дополнительным оборудованием, а также их обслуживание. Агрегат имеет разрешение CE только в том случае, если он оснащен следующими горелками, см. таблицу [4].

3.2 Проверочные работы

Воздухонагреватель "Mark Föhn" может быть введен в эксплуатацию только в том случае, если будут выполнены вышеупомянутые проверки.

- Проверьте все болты, некоторые из них могут ослабнуть во время транспортировки.
- Проверьте правильное натяжение клиновых ремней [8]
- Проверьте правильное направление вращения вентиляторов (см. стрелку направления вращения на вентиляторе)
- Откройте / закройте жалюзийные заслонки (если имеются)
- Давление газа на входе в агрегат (проверьте у газовой горелки, см. фирменную табличку)
- Проверьте отвод и поток отработавших газов
- Проверьте электрическое напряжение
- Проверьте подключение термостата
- Проверьте возможные воздуховоды; убедитесь, что внешнее статическое давление в системе воздухопроводов соответствует давлению в фирменной табличке.
- Убедитесь, что на функционирование агрегата не может отрицательно влиять другое оборудование, местные воздушные потоки, едкие или взрывоопасные пары и т. д.
- Проверьте работу регулятора тяги с помощью холодного зеркала на предмет утечек.
- Проверьте настройки реле контроля загрязнённости фильтра: сопротивление чистого фильтра + 60 Па. (Настройка реле контроля загрязнённости фильтра после установки канала).

Обратите внимание на правильный тип и производительность газовой горелки.

3.3 Проверка номинальной нагрузки

Убедитесь, что расход газа соответствует значениям в таблице [4]. Если значения не совпадают, измените их в соответствии с техническим руководством горелки.

3.4 Проверка давления на входе

Давление газа должно измеряться на газовом блоке во время работы агрегата. Давление указано на фирменной табличке агрегата.

3.5 Проверка защитного термостата [6]

Проверьте работу защитного термостата перед фактическим запуском агрегата. Правильно функционирующий защитный термостат является гарантией эксплуатационной безопасности и срока службы агрегата. У поставленного в сборе воздухонагревателя термостат установлен и отрегулирован на заводе-изготовителе.

Настройка защитного термостата:

- Защитный термостат (STB) имеет фиксированное значение 100 °С, при такой температуре происходит отключение горелки, а термостат механически блокируется. Ручной сброс не требуется.
- Максимальный термостат управления (STW) в положении блокировки (90 °С). При этом горелка временно отключается.
- Защитный термостат Tmin: 40 °С, происходит включение вентилятора.
30 °С, происходит выключение вентилятора.

3.6 Защита двигателя

В соответствии с общими действующими правилами каждый двигатель должен быть защищен от перегрева и перегрузки термодатчиком. Это приведет к отключению электромагнитного выключателя. Выполнить сброс термозащиты вручную.

Термозащита

Устройства термозащиты устанавливаются на заводе и опечатываются. Проверьте ток двигателя вентилятора. Если потребление тока слишком велико, вероятно, что внешнее статическое давление в воздушной системе ниже, чем указано в фирменной табличке. Если внешнее сопротивление в системе воздухопроводов отличается от указанного в табличке, потребитель должен обеспечить соответствие величины значению в фирменной табличке. Запрещена работа с перегруженным двигателем. Это приведет к прекращению действия гарантии на двигатель.

3.7 Вывод из эксплуатации воздухонагревателя

На короткое время:

- Установите комнатный термостат на минимальную температуру.
- Горелка выключается, а вентилятор продолжает работать, пока термостат вентилятора не выключит двигатель вентилятора.

На более продолжительное время:

- Установите комнатный термостат на минимальную температуру.
- Если закончилась автоматическая работа вентилятора после отключения агрегата, агрегат можно отключить от сети.

4.0 Техническое обслуживание

4.1 Общие положения

Техническое обслуживание агрегата должно проводиться не реже одного раза в год, а при необходимости - чаще. Если у вас есть какие-либо вопросы по техническому обслуживанию, при необходимости обратитесь к квалифицированному специалисту-монтажнику. При выполнении работ по техническому обслуживанию агрегат следует отключать на более длительный период времени. Обратите внимание на соблюдение всех правил техники безопасности.

4.2 Уборка [7]

- I Обшивочный лист
- II Крышка камеры для отработавших газов
- III Топочная камера

Очистка теплообменника

После каждого отопительного сезона (один раз в год) топочную камеру и змеевик необходимо проверять на наличие коррозии и протечек и, при необходимости, проводить их чистку. Для чистки снимите обшивку. Удалите со змеевика крышку для отработавших газов и крышку топочной камеры. Очистите змеевик щеткой. Примечание: у агрегатов, работающих на газе, снимите установленные демферы и установите их снова после очистки. Весь агрегат необходимо хорошо закрыть, нельзя использовать старый уплотнительный материал. Его необходимо заменить. Техническое обслуживание горелки должно осуществляться в соответствии с инструкциями поставщика горелки. После снятия газовой горелки можно почистить топочную камеру. Удалите возможно имеющиеся частицы сажи с помощью пылесоса.

4.3 Привод [8]

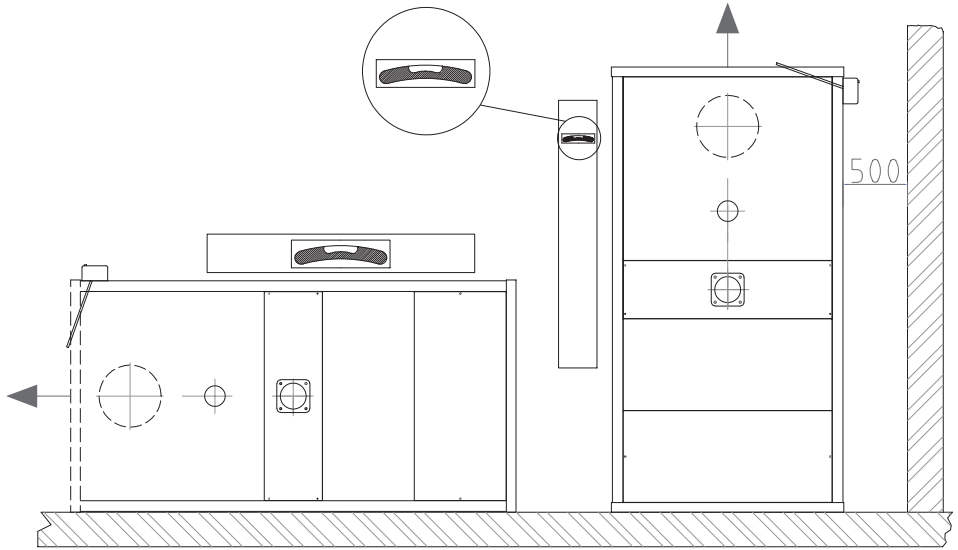
Работы на приводе следует выполнять только тогда, когда были приняты необходимые меры предосторожности, такие как отключение агрегата. Вентилятор имеет функцию дополнительной продувки после отключения агрегата. Только после остановки вентилятора можно отключать агрегат от сети. Проверьте работу защитного термостата. Если клиновые ремни изношены, не используйте старые и новые клиновые ремни одновременно, а замените весь комплект ремней за один раз и обратитесь к тому же дилеру (обратите внимание на одинаковые номера типов на клиновом ремне)! Проверьте вентилятор на отсутствие загрязнения; при необходимости выполните чистку. Проверяйте натяжение ремней через 20-40 часов работы. Регулярно подтягивайте ремни в течение первого года эксплуатации!

4.4 Воздушный фильтр [9]

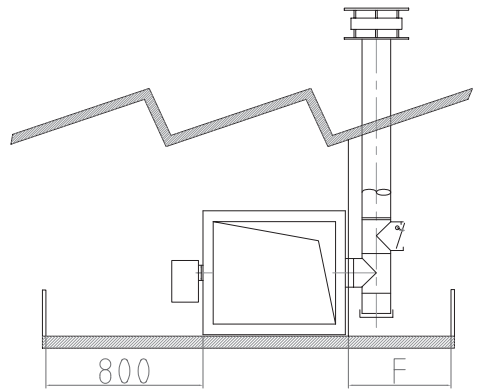
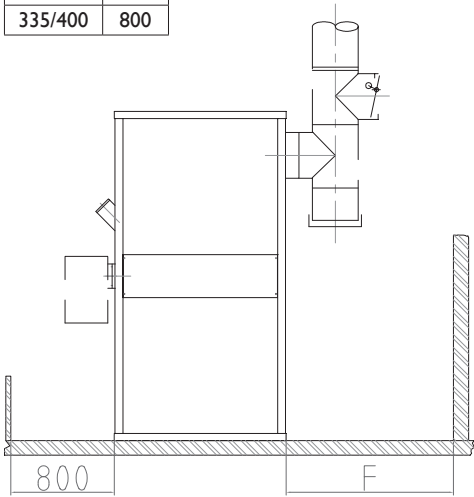
Необходимо проводить регулярную чистку, при необходимости раз в неделю, возможно предусмотренных во всасывающей линии фильтров. Если фильтры очень грязные, их необходимо заменить на фильтры того же качества и назначения. Если используется воздушный фильтр, должно быть установлено реле контроля загрязнения фильтра. Это реле давления выключает горелку, если фильтр загрязнен. Сброс реле контроля фильтра можно выполнять механически.

Критерии настройки: сопротивление чистого фильтра + 60 Па.

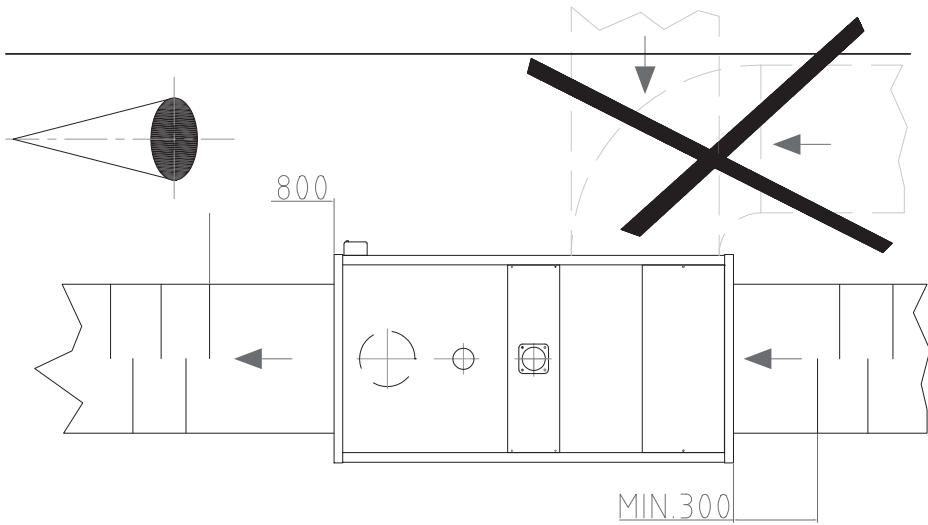
- A Ниппель воздушного давления
- B Кнопка сброса



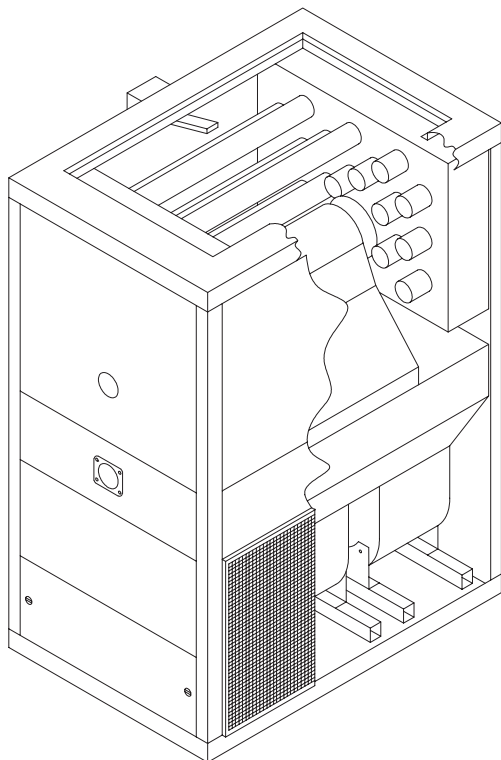
Type	F
115/160	700
210/270	800
335/400	800



[2]



[3]



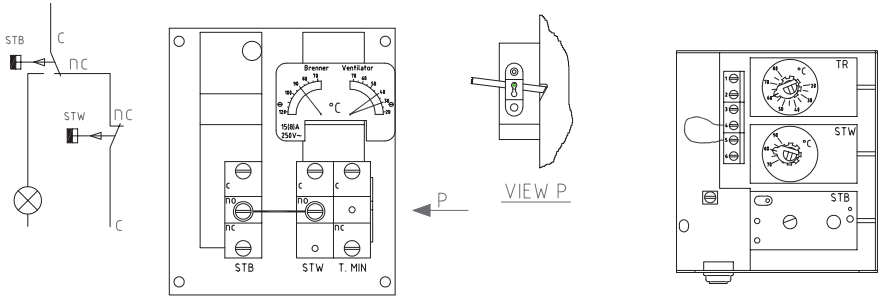
T	Gas		G25	G25.3	G20	D	E	F	G	I	J	K	
	A	B										C	C
	kW	m ³ /h	m ³ /h	m ³ /h	m ³ /h	m ³ /h	m ³ /h	m ³ /h	kg	V	mm	BS3 D	BS3 M
115	115	124,8	14,7	14,8	13,0	9611	8410	-	650	3~400+N	252	BS3 D	BS3 M
160	155	170,6	20,1	20,2	17,7	13372	11701	-	780	3~400+N	252	BS30	BS4 M
210	210	223,9	26,4	26,6	23,3	17551	15357	13651	940	3~400+N	302	RS34 MZ	RS34M MZ
270	270	289,9	34,1	34,3	30,1	22566	19745	17551	1130	3~400+N	302	RS34 MZ	RS34M MZ
335	347	364,1	42,9	43,3	37,8	27998	24498	21776	1250	3~400+N	352	RS44 MZ	RS44M MZ
400	400	420,8	49,6	49,8	43,7	33431	29252	26001	1290	3~400+N	352	RS44 MZ	RS44M MZ

T	H										L						
	N	O	P	Q	R	S	N	O	Q	R	S	N	O	Q	R	S	
	kW	m ³ /h	mBar	%	°C	kg/h	kW	m ³ /h	%	°C	kg/h	kW	m ³ /h	%	°C	kg/h	
115	124,8	14,7	13,0	25	20	20	20	20	9	157	216,0	62,4	7,4	6,5	8,5	104	113,8
160	170,6	20,1	17,7	25	20	20	20	20	9	189	295,3	85,3	10,1	8,9	8,5	119	155,7
210	223,6	26,4	23,3	25	20	20	20	20	9	123	387,9	111,8	13,2	11,7	8,4	72	206,7
270	289,9	34,1	30,1	25	20	20	20	20	9	140	501,1	145,0	17,1	15,1	8,4	77	267,0
335	364,1	42,9	37,8	25	20	20	20	20	9	95	630,4	182,1	21,5	18,9	8,3	61	339,6
400	420,8	49,6	43,7	25	20	20	20	20	8,9	113	736,3	210,4	24,8	21,9	8,4	66	388,3

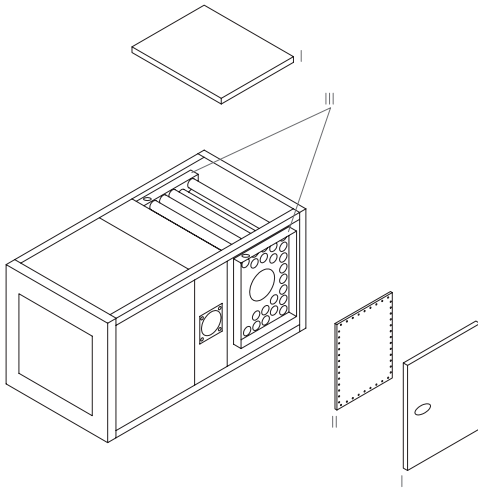
[4]

T	N	U	V	W	X	Y	K
	kW	kW	US Gallon		bar	kg/h	
115	124,8	115	2,25	60° AR	13,00	9,8	RG3D
160	170,6	155	3,50	60° PLP	12,00	14,4	RG4D
210	223,6	210	2,25+2,25	60° PLP	12,00	18,7	RL 28
270	289,9	270	3,0+3,0	60° PLP	12,00	24,3	RL 28
335	364,1	347	3,5+4,0	60° PLP	13,00	30,2	RL 38
400	420,8	400	4,0+4,5	60° PLP	12,00	35,5	RL 38

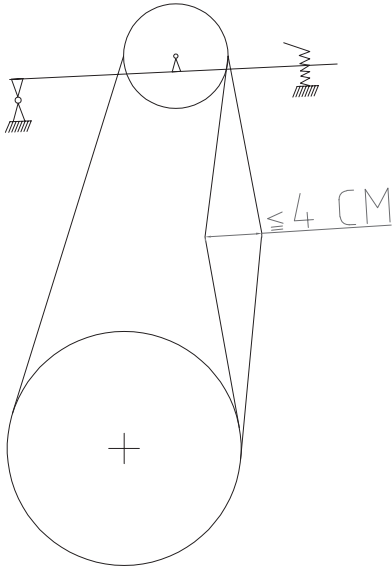
[6]



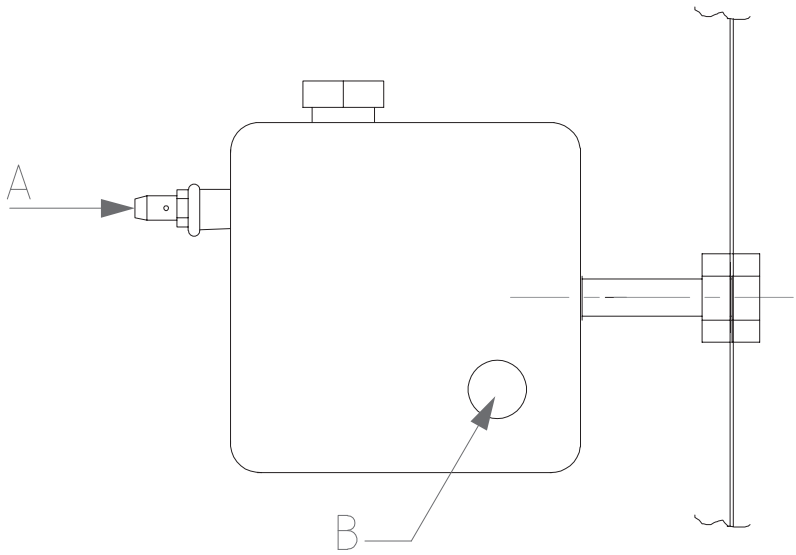
[7]

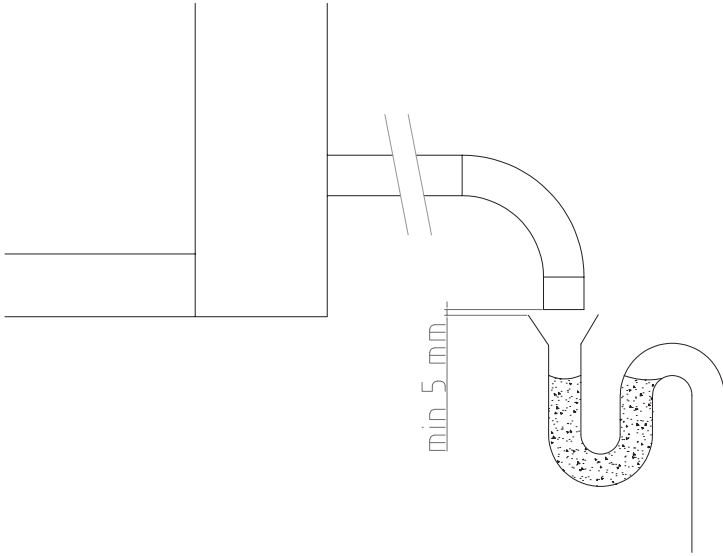


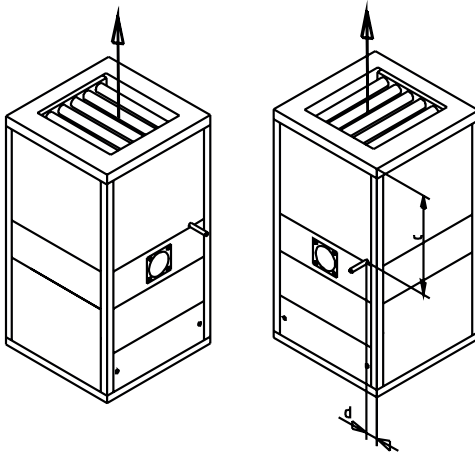
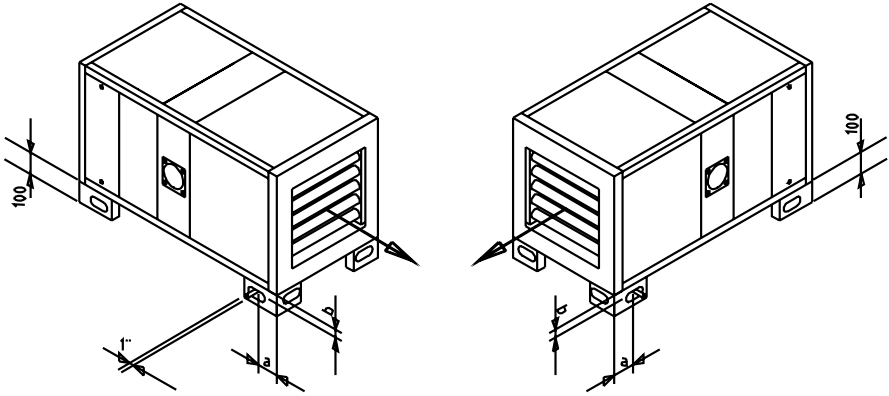
[8]



[9]







TYPE	a	b	c	d
115	207	43	930	175
160	207	43	930	175
210	207	43	930	175
270	207	43	835	175
335	242	70	960	420
400	242	70	960	420

MARK BV

BENEDEN VERLAAT 87-89
 VEENDAM (NEDERLAND)
 POSTBUS 13, 9640 AA VEENDAM
 TELEFOON +31 (0)598 656600
 FAX +31 (0)598 624584
 info@mark.nl
 www.mark.nl

MARK EIRE BV

COOLEA, MACROOM
 CO. CORK
 P12 W660 (IRELAND)
 PHONE +353 (0)26 45334
 FAX +353 (0)26 45383
 sales@markeire.com
 www.markeire.com

MARK BELGIUM b.v.b.a.

ENERGIELAAN 12
 2950 KAPellen
 (BELGIË/BELGIQUE)
 TELEFOON +32 (0)3 6669254
 info@markbelgium.be
 www.markbelgium.be

MARK DEUTSCHLAND GmbH

MAX-PLANCK-STRASSE 16
 46446 EMMERICH AM RHEIN
 (DEUTSCHLAND)
 TELEFON +49 (0)2822 97728-0
 TELEFAX +49 (0)2822 97728-10
 info@mark.de
 www.mark.de

MARK POLSKA Sp. z o.o

UL. JASNOGÓRSKA 27
 42-202 CZĘSTOCHOWA (POLSKA)
 PHONE +48 34 3683443
 FAX +48 34 3683553
 info@markpolska.pl
 www.markpolska.pl

S.C. MARK ROMANIA S.R.L.

STR. KOS KAROLY NR. 1 A
 540297 TARGU MURES
 (ROMANIA)
 TEL/FAX +40 (0)265-266.332
 office@markromania.ro
 www.markromania.ro

